



Audiovisual/Touring Brochure

**Audiovisual
Solutions... In
Stock &
Available!**

SLAM Solutions
Atención en español para todo Latinoamérica
www.corpslam.com informes@corpslam.com
WhatsApp +52 55 5416 0517





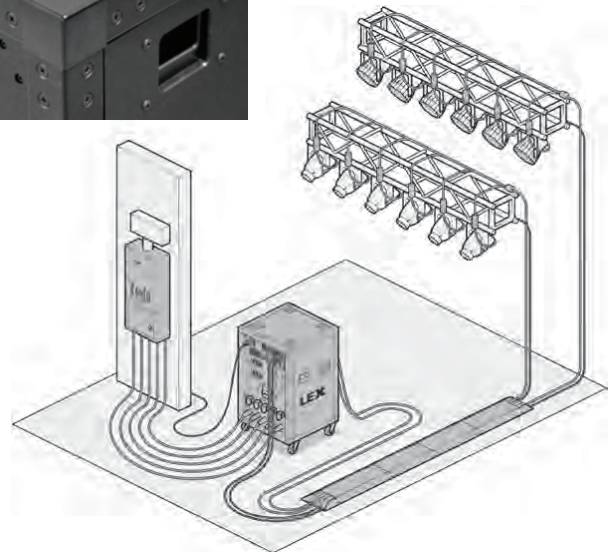
Features & Benefits:

- Extruded aluminum frames combined with high density polyethylene (HDPE) enclosure panels create lightweight yet remarkably strong and extremely durable rack enclosures
- Front and back rack doors have “snap-in” latches for ease of access
- All rack hardware is recessed on HDPE panels to protect from breakage and there are no exposed latches when doors are removed
- All 19” rack panels are laser engraved for clear and concise identification
- 100% rated, electronic main and magnetic branch circuit breakers eliminates worry of thermal tripping
- LED power indicators, including discrete six (6) circuit arrays for multipin receptacles, provide clear live circuit identification

Part Number: PRMM18Q-2MR8U-X-LV
“Presidential” Rack, 400 Amp PowerRACK with (48) 120 VAC or 208 VAC Circuits and Metering



Part Number: PRMM18Q-2MR8U-X-LV
“Viceroy” Rack, 200 Amp PowerRACK with (24) 120 VAC or 208 VAC Circuits and Metering





Typical Applications:

Unprecedented control, convenience and cost-efficiency in an easily transportable, road-worthy rack.

By consolidating single and double pole relays, dimmers and data distribution into a single panel, equipment needs for temporary installations are simplified significantly as PCS TRIO™ Touring addresses multiple requirements in a single device.

Whether the application requires power management of LEDs, moving and incandescent lights, projection screens, powered speakers or other appropriate equipment, the revolutionary, patent-pending design of PCS TRIO™ Touring enables power control over the widest equipment range within a single panel.



Feature Benefits:

- Complete Power Control: Single Pole Relays & Double Pole Relays & Dimmers
- Advanced Data Distribution: DMX and RDM with In, Out & Thru; Art-net & sACN with In and Loop
- Internal Ethernet Gateway for DMX
- 3RU Rack Space for Data Equipment
- Wifi Option



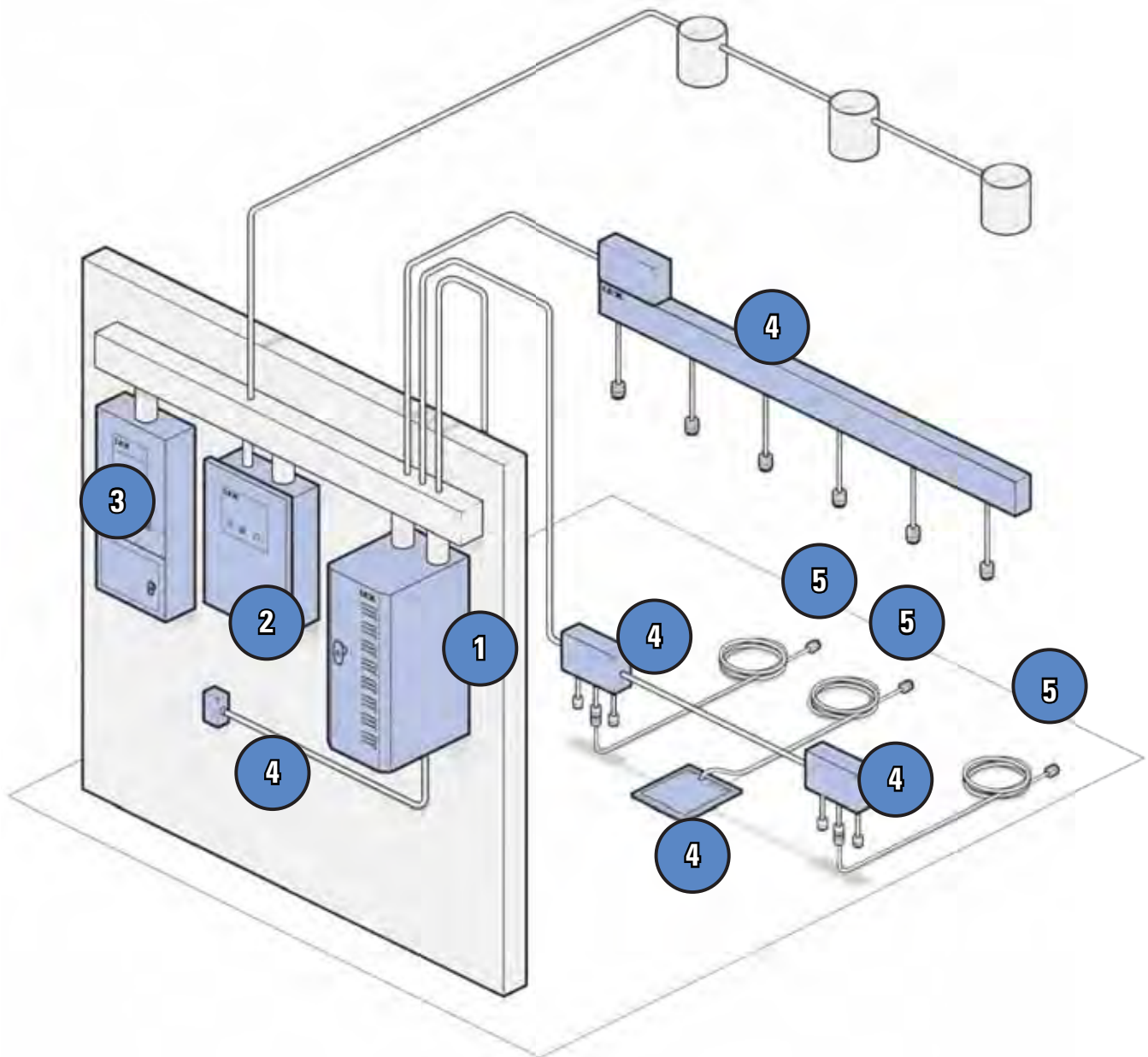
Specifications

Input	(6) 16 Series Cam-type panel mount Male devices with protective covers, straight
Output	As many as (48) 20 Amp circuits via (16) paralleled 6-circuit, 120V LSC19 receptacles
Thru	(6) 16 Series Cam-type panel mount Female devices with protective covers, straight
Dimensions	48.75" (123.825 cm) H x 29.50" (74.93 cm) W x 33.00" (83.82 cm) D
Weight	515 lbs. (233.60 kg) maximum total (total weight dependent on module selection)

Our Panel to Plug Philosophy...

Lex Products has you covered from “Panel to Plug” with over 25 years of innovation in the entertainment market developing technologies used by studios, theatres, concerts, film sets and more.

Our portable power distribution boxes, company switches, cable assemblies, connectors, cable ramp protectors and other various products deliver the power to a wide variety of entertainment devices and fixtures.



- 1) Power Control Solutions PCS TRIO™
- 2) PowerGATE™ Emergency Lighting Transfer Switch
- 3) PowerGATE™ Company Switch

- 4) PowerPLUS™ Connector Strip, Outlet Boxes and Floor Pocket
- 5) PowerFLEX™ Cable Assemblies



Power control for the full range of lighting, audio, and video...

RE-IMAGINED!



Catalog Number:

- 4 Module Chamber (PCS-I-A-MC-04)**
- 8 Module Chamber (PCS-I-A-MC-08)**
- 16 Module Chamber (PCS-I-A-MC-16)**
- Chamber Controller (PCS-I-CC)**

Description:

Whether your project requires power management of LEDs, moving lights and incandescent lights, projection screens, powered speakers or other appropriate equipment the revolutionary, patent-pending design of PCS TRIO™ enables power control over the widest equipment range.

The ability to consolidate single and double pole relays as well as dimmers into one panel has never been accomplished...until now!

Features & Benefits:

- Deliver power to a wide range of devices in a single panel
- Modules connect dimmers, single pole, and double pole relays to all phases of power
- Integrate easily with other power control and management devices
- Simplify lighting installations with less cabling and conduit
- Supports the most popular control protocols: DMX-512A, RDM, E1.31 sACN and Art-Net



Relay and Dimmer Modules

Each of the following Modules include over-temperature sensing for per-module protection. Both dimmer and relay circuits possess zero-cross detection for trigger timing which, in the case of the relays, extends relay component life. Relays maintain last state (open or closed) until signaled or manually manipulated.

Single Pole Relay/Double Pole PCS-A-MD-R2R



- One Single Pole Relay rated for 120V, 20A and one Double Pole Relay rated for 240V, 20A

Triple Single Pole PCS-A-MD-RRR



- Three Single Pole Relay Circuits rated for 120V, 20A per circuit

Single Dimmer/Double Pole PCS-A-MD-D2R



- One SCR Dimmer Circuit with 350 μ s ra and one Double Pole Relay Circuit, each rated for 240V, 20A

Single Dimmer/ Dual Single Pole PCS-A-MD-DRR



- One SCR Dimmer Circuit with 350 μ s 'rise time' and two Single Pole Relay Circuits, each rated for 120V, 20A per circuit

Triple Dimmer PCS-A-MD-DDD



- Three SCR Dimmer Circuits with 350 μ s 'rise time' rated for 120V, 20A per circuit

Additional Modules

Plenum Module PCS-A-MD-PPP



- Plenum Modules occupy unpopulated Module Chamber slots and are critical to the safety and air flow integrity of the system

Note: PCS TRIO™ Modules are suitable for use with either PCS TRIO™ Install or Touring

Custom configurations, individual connectors and interconnecting cable assemblies available.

WHERE TO USE PCS TRIO™

Anywhere light, sound and video need to be powered...

- Theatres
- Studios
- Convention Centers
- Houses of Worship
- Schools & Universities
- Gymnasiums
- Auditoriums



			
Product Name	Digital to 0-10V DC Demultiplexer	Weight Transfer Stand	Decibel Dampener
Part Number	PCS-I-DEMULT-ETHER PCS-I-DEMULT-RS485	PCS-I-STND-FLR	PCS-I-A-DBD
Specifications	<ul style="list-style-type: none"> • Converts digital signals into 16 channels of analog control voltage. • Works in concert with PCS TRIO™ relays for the control of fully isolated LED fixtures requiring mains switching and 0-10V DC dimming 	<ul style="list-style-type: none"> • The weight transfer stand sits beneath the 8-Module Chamber or 16-Module Chamber to transfer the system weight to the floor. 	<ul style="list-style-type: none"> • A cowling used to diminish the operating sound generated by the PCS TRIO™ Module Chamber.
Dimensions	4.50"D x 10"W x 23"H (ETHER version) 4.50"D x 10"W x 13"H (RJ485 version)	19.50"D x 14.50"W x 12.19" H	12"D x 14.50"W x 12.00"H
Weight	10 lbs. (ETHER Version) 7.50 lbs. (RS485 Version)	10 lbs.	11.45 lbs.

Lex Products' PowerRACK™ Enclosed Rack Mount Power Distribution modules allow convenience receptacles to be added to standard EIA (Electronics Industries Alliance) 19-inch permanent or portable racks. Modules are ETL Listed to UL Standards and are available in 1, 2 and 3 rack unit heights.

Nineteen different configurations offer many input and output options, and make the modules exceptionally flexible for shifting power requirements. Typical applications include powering audio and lighting equipment.



Features & Benefits

- Product range includes a variety of connectors to meet the changing needs of entertainment venues, including Neutrik powerCONs for the growing use of LED lights
- ETL Listed for US and Canada, tested to UL Standards
- Aluminum construction with anodized finish is lightweight for portability and durability, while ensuring years of service
- Modules are fully enclosed for easy handling and installation
- Indicator lights and laser etched labels enable easy circuit identification
- Suitable for Lex Products' PowerRACK™ Rolling Distribution Racks or any standard 19" rack, permanent or portable

See our PowerRACK™ Brochure for part numbers and additional configuration details.

Custom configurations, individual connectors and interconnecting cable assemblies available.

400 Amp 3 Phase Cam-Type Splitter Box

PowerHOUSE™
Portable Distribution Boxes

Spider Box



Application:

This box is fed by a generator or panel and splits off five separate sets of 5-wire Cam-type receptacles. It allows multiple fil to be set up which enables it to power the individual shoots on an as-needed basis throughout the day. The runs are not used simultaneously and there is no overcurrent protection.

Features & Benefits:

- High-density polyethylene (HDPE) top, bottom and sides provide superior impact, weather and shock resistance
- Safe and expedient means of distributing 400 Amp, 3 Phase Cam-type cable runs
- Compact for convenient portability

Catalog Number: DB400BP-WWW-S3

Description:

400 Amp, 3 Phase, 4 Pole, 5 Wire, 120/208Y VAC, Turtle Enclosure, (1) set of (5) 16 Series Cam-type color-coded panel mount inlets to (5) sets of (5) 16 Series Cam-type color-coded panel mount outlets, NEMA 1 Indoor

Specifications & Ordering Information	
Catalog Number	DB400BP-WWW-S3
Rating	400 Amp, 3 Phase (H,H,H,N,G), 4 Pole, 5 Wire, 120/208Y VAC
Environmental Rating	NEMA 1 Indoor
Input	(1) Set of (5) 16 Series Cam-type color-coded panel mount inlets
Output	(5) Sets of (5) 16 Series Cam-type color-coded panel mount outlets
Feed Thru	None
Overcurrent Protection	None
Enclosure Type	Turtle
Dimensions	20.5"L x 11"W x 18"H
Approximate Weight	56 lbs.



The first portable power distribution box featuring outputs with adjustable current ratings to match the specific applicatoin loads



Catalog Number: See pages 31-32 for model variations and ordering information

Description:

600 or 800 Amp, 3 Phase, 4 Pole, 5 Wire, 120/208Y VAC, Power Station Enclosure, (2) sets of (5) 16 Series Cam-type color-coded panel mount inlets to (3) or (4) sets of (5) 16 Series Cam-type color-coded panel mount outlets, protected by a combination of (1) 60-150 Amp adjustable circuit breaker, (1) 100-250 Amp adjustable circuit breaker and/or (1) 160-400 Amp adjustable circuit breakers. One model available with a feed thru. TYPE 3R Rainproof. Black, red, blue (120/208Y), brown, orange, yellow (277/480Y), all black (347/600Y) and reverse ground and neutral Cam options available.

Application:

Typical applications include installations requiring a main disconnect for a range of varying downstream electrical loads such as portable kitchens, environmental control units, machinery, motors, tools and more. Fed directly from a power source, the PowerHOUSE™ Load Master™ portable power distribution box distributes power into (3) or (4) circuits. Each circuit provides adjustable overcurrent protection for the output receptacles to match the specific load requirements.

Features & Benefits:

- Exceptional flexibility: The cULus Listed Load Master can handle a broad range of power distribution applications due to adjustable circuit breakers that enable overcurrent protection to be changed easily, matching specific output loads
- The ability to adjust a circuit breaker's trip rating to closely match a specific load ensures that the circuit breaker will trip when needed. This is useful in overload or short circuit situations.
- Heavy-duty molded rubber enclosure is fully insulated and resistant to shock, impact and corrosion
- Easy to set up: Does not require on-site wiring by a licensed electrician
- Unit is 2-man portable; no forklift needed
- The adjustable electronic circuit breakers will not nuisance trip due to high ambient temperatures
- Adjustable circuit breakers are mounted under a hinged lid for easy access and enhanced protection
- Elevated base keeps receptacles above ground level

Custom configurations, individual connectors and interconnecting cable assemblies available.

Specifications & Ordering Information		
Catalog No.	PH800G3-N2J-13AX	PH800-N1J-22AV2AX
Rating	800 Amp, 3 Phase (H,H,H,N,G), 4 Pole, 5 Wire, 120/208Y VAC	800 Amp, 3 Phase (H,H,H,N,G), 4 Pole, 5 Wire, 120/208Y VAC
Environmental Rating	TYPE 3R Rainproof	TYPE 3R Rainproof
Input	(2) sets of (5) 16 Series Cam-type color-coded panel mount inlets	(2) sets of (5) 16 Series Cam-type color-coded panel mount inlets
Output	(3) sets of (5) 16 Series Cam-type color-coded panel mount receptacles, each protected by an adjustable breaker	(4) sets of (5) 16 Series Cam-type color-coded panel mount receptacles, each protected by an adjustable circuit breaker
Feed Thru	None	None
Overcurrent Protection	(3) 100-250 Amp electronic circuit breakers with adjustable settings	(2) 100-250 Amp electronic circuit breakers with adjustable settings (2) 60-150 Amp electronic circuit breakers with adjustable settings
Enclosure	Power Station	Power Station
Dimensions	27.5"L x 18.5"W x 18"H	27.5"L x 18.5"W x 18"H
Approximate Weight	143.5 lbs.	164 lbs.

120/208Y BRB, 277/480Y BOY, 347/600Y BBB and RGN Cam options available. Contact a Lex Products sales representative for more information.

Specifications & Ordering Information		
Catalog No.	PH800G3-N2J-31AV1AX1AZ	PH600G3-N1J-14AV
Rating	800 Amp, 3 Phase (H,H,H,N,G), 4 Pole, 5 Wire, 120/208Y VAC	600 Amp, 3 Phase (H,H,H,N,G), 4 Pole, 5 Wire, 120/208Y VAC
Environmental Rating	TYPE 3R Rainproof	TYPE 3R Rainproof
Input	(2) sets of (5) 16 Series Cam-type color-coded panel mount inlets	(2) sets of (5) 16 Series Cam-type color-coded panel mount inlets
Output	(3) sets of (5) 16 Series Cam-type color-coded panel mount receptacles, each protected by an adjustable breaker	(4) sets of (5) 16 Series Cam-type color-coded panel mount receptacles, each protected by an adjustable breaker
Feed Thru	(2) sets of (5) 16 Series Cam-type color-coded panel mount outlets	None
Overcurrent Protection	(1) 60-150 Amp electronic circuit breaker with adjustable settings (1) 100-250 Amp electronic circuit breaker with adjustable settings (1) 160-400 Amp electronic circuit breaker with adjustable settings	(4) 60-150 Amp electronic circuit breakers with adjustable settings
Enclosure	Power Station	Power Station
Dimensions	27.5"L x 18.5"W x 18"H	27.5"L x 18.5"W x 18"H
Approximate Weight	167 lbs.	151.5 lbs.

120/208Y BRB, 277/480Y BOY, 347/600Y BBB and RGN Cam options available. Contact a Lex Products sales representative for more information.

Custom configurations, individual connectors and interconnecting cable assemblies available.

400 Amp 3 Phase Cam-Type Splitter

PowerHOUSE™
Portable Distribution Boxes

Description:

400 Amp, 3 Phase, 4 Pole, 5 Wire, 120/208Y VAC, Hammerhead Enclosure, (1) set of (5) 16 Series Cam-type color-coded panel mount inlets to (4) sets of (5) 16 Series Cam-type color-coded panel mount receptacles, NEMA 3R Weather Resistant. Model variations include duplex receptacles or GFCI duplex receptacles.

Application:

This Hammerhead box separates 400 Amp, 3 Phase, 4 Pole, 5 Wire power into (4) sets of 100 Amp, 3 Phase, 4 Pole, 5 Wire overcurrent protected circuits to safely downstep cable size distributing power to shelters, small concerts and other portable distribution units. Two model variations feature convenience receptacles provide power for lights, computers and light tools.



Features & Benefits:

- Heavy-duty molded rubber enclosure is fully insulated and resistant to shock, impact and corrosion
- Circuit breakers mounted under hinged window for easy access and enhanced protection
- Compact for convenient portability
- Elevated base keeps receptacles above ground level

Specifications & Ordering Information

Specification	DB400N1J4AJ2CD-63	DB400N1J4AJ2CC-63	DB400N1J4AJ-63
Catalog Number	DB400N1J4AJ2CD-63	DB400N1J4AJ2CC-63	DB400N1J4AJ-63
Rating	400 Amp, 3 Phase (H,H,H,N,G), 4 Pole, 5 Wire, 120/208Y VAC	400 Amp, 3 Phase (H,H,H,N,G), 4 Pole, 5 Wire, 120/208Y VAC	400 Amp, 3 Phase (H,H,H,N,G), 4 Pole, 5 Wire, 120/208Y VAC
Environmental Rating	NEMA 3R Weather Resistant	NEMA 3R Weather Resistant	NEMA 3R Weather Resistant
Input	(1) Set of (5) 16 Series Cam-type color-coded panel mount inlets	(1) Set of (5) 16 Series Cam-type color-coded panel mount inlets	(1) Set of (5) 16 Series Cam-type color-coded panel mount inlets
Output	(4) sets of (5) 16 Series Cam-type color-coded panel mount receptacles (2) NEMA 5-20, 20 Amp, 2 Pole, 3 Wire, 120 VAC, GFCI duplex receptacles	(4) sets of (5) 16 Series Cam-type color-coded panel mount receptacles (2) NEMA 5-20, 20 Amp, 2 Pole, 3 Wire, 120 VAC, duplex receptacles	(4) sets of (5) 16 Series Cam-type color-coded panel mount receptacles
Feed Thru	None	None	None
Overcurrent Protection	(2) 20 Amp, Single Pole branch-rated circuit breakers (4) 100 Amp, 3 Pole branch-rated circuit breakers	(2) 20 Amp, Single Pole branch-rated circuit breakers (4) 100 Amp, 3 Pole branch-rated circuit breakers	(4) 100 Amp, 3 Pole branch-rated circuit breakers
Enclosure Type	Hammerhead	Hammerhead	Hammerhead
Dimensions	15"L x 18"W x 22"H	15"L x 18"W x 22"H	15"L x 18"W x 22"H
Approximate Weight	75 lbs.	75 lbs.	75 lbs.

Custom configurations, individual connectors and interconnecting cable assemblies available.

Load Master® Series

PowerHOUSE™
Portable Distribution Boxes

Adjustable Breaker Box single Cam-type Input



Description:

160-400 Amp or 100-250 Amp Variable Output Box, 3 Phase, 4 Pole, 5 Wire, 120/208 VAC, Pagoda Enclosure, (1) set of (5) 16 Series Cam-type color-coded panel mount inlets to (1) set of (5) 16 Series Cam-type color-coded panel mount outlets, NEMA 3R Weather Resistant

Application:

Provides overcurrent protection and a main disconnect for portable power distribution systems. The current trip setting is adjustable, allowing it to protect a variety of systems with different cable sizes.

Features & Benefits:

- Adjustable trip setting allows the box to protect a variety of systems with different cable sizes
- Adjustable electronic breakers will not nuisance trip under high ambient temperatures
- Heavy-duty molded rubber enclosure is fully insulated and resistant to shock, impact and corrosion
- Circuit breakers are mounted under hinged lid for enhanced protection
- Stackable and compact for easy storage and convenient portability
- Elevated base keeps receptacles above ground level

Specifications & Ordering Information		
Catalog Number	DB400LP-AW-S3	DB250LP-AW-S3
Rating	160-400 Amp variable output, 3 Phase (H,H,H,N,G), 4 Pole, 5 Wire, 120/208Y VAC	100-250 Amp variable output, 3 Phase (H,H,H,N,G), 4 Pole, 5 Wire, 120/208Y VAC
Environmental Rating	NEMA 3R Weather Resistant	NEMA 3R Weather Resistant
Input	(1) Set of (5) 16 Series Cam-type color-coded panel mount inlets	(1) Set of (5) 16 Series Cam-type color-coded panel mount inlets
Output	(1) Set of (5) 16 Series Cam-type color-coded panel mount outlets with variable output	(1) Set of (5) 16 Series Cam-type color-coded panel mount outlets with variable output
Feed Thru	None	None
Overcurrent Protection	(1) 400 Amp adjustable electronic breaker, 160 Amp - 400 Amp	(1) 250 Amp adjustable electronic breaker 100 Amp - 250 Amp
Enclosure	Pagoda	Pagoda
Dimensions	14.25"W x 14.15"H	14.25"L x 14.25"W x 14.15"H
Approximate Weight	44 lbs.	44 lbs.

Available in 480 VAC and 600 VAC versions. Convenience outlets available upon request. Contact a Lex Products sales representative.

200 Amp 3 Phase Power Station Jr. to GFCI Duplex Receptacles

PowerHOUSE™
Portable Distribution Boxes



UL US LISTED
TYPE 3R

Catalog Number:
DB200N1J24CD-H3

Description:

200 Amp, 3 Phase, 4 Pole, 5 Wire, 120/208Y VAC, Power Station Enclosure, (1) set of (5) 16 Series Cam-type color-coded panel mount inlets to (24) NEMA 5-20, 20 Amp, GFCI duplex receptacles, NEMA 3R Weather Resistant.

Typical Application:

This box can be fed directly from a generator or from a larger box and is used where many 20 Amp GFCI protected duplex receptacles are needed. Applications include powering multiple lights, appliances, computers and audiovisual systems.

Markets Served:

Live Events, Concert Touring, Industrial, Military

Features & Benefits

- *Heavy-duty molded rubber enclosure is fully insulated and resistant to shock, impact and corrosion*
- *Breakers are mounted under hinged lid for enhanced safety*
- *Stackable and compact for easy storage and convenient portability*
- *Elevated base keeps receptacles above ground level*

Specifications

Rating	200 Amp, 3 Phase (H,H,H,N,G), 4 Pole, 5 Wire, 120/208Y VAC
Environmental Rating	NEMA 3R Weather Resistant
Input	(1) set of (5) 16 Series Cam-type color-coded panel mount inlets
Output	(24) NEMA 5-20, 20 Amp, 2 Pole, 3 Wire, 120 VAC, GFCI duplex receptacles
Feed Thru	None
Overcurrent Protection	(24) 20 Amp, Single Pole branch-rated circuit breakers
Dimensions	22"L x 17"W x 18"H
Approximate Weight	65 lbs.

100 Amp 3 Phase to (15) NEMA 5-20 Duplex Receptacles

Pagoda Enclosure

PowerHOUSE™
Portable Distribution Boxes

Catalog Number(s):

Type 1: DB100A-A401520

Type 3R: DB100NP-ABB-S3



UL US LISTED
TYPE 1 Indoor
TYPE 3R Rainproof

Specifications

Input	(5) 16 Series Cam-type male devices
Optional Input	(5) 18", #6 AWG Type SC tails with 16 Series Cam-type male devices
Output	(15) NEMA 5-20, 20A, 2P 3W, 120VAC duplex receptacles
Overcurrent Protection	(15) 20A, 1-Pole Branch Circuit Rated Breakers
Rating	100A, 3Ø, 120/208VAC
Dimensions	14.25" L x 14.25" W x 14.15" H
Weight	32 lbs

Description:

100 Amp 3Ø Pagoda (B40) to (15) NEMA 5-20 Duplex Receptacles

Typical Applications:

The most versatile PowerHouse™. Fed from a generator or panel, this box can accept up to (30) NEMA 5-15 Edison cords in an extremely compact package.

100 Amp Pagoda with Duplex Receptacles

200 Amp Pagoda with Tail Input to LSC19 Receptacles

Pagoda Jr. Enclosure



Description:

200 Amp 3Ø Pagoda (B40) with Tail Input to LSC19 Receptacles, Type 1 Indoor

Typical Applications:

Fed from a panel or generator, this box provides overcurrent protected power for (4) multi-cable connections. This box is typically used with multiple, non-dimmed circuits.

Specifications

Input	(5) 18", #6 AWG Type SC tails with 16 Series Cam-type male devices
Output	(4) 20 Amps per circuit, 6-circuit, 120 VAC, LSC19 receptacles (3) NEMA 5-20, 20A, 2P 3W, 120VAC duplex receptacles
Overcurrent Protection	(27) 20 A, 1-Pole Branch Circuit Rated Breakers
Dimensions	14.25" L x 14.25" W x 14.15" H
Weight	39 lbs

Catalog Number:

DBS200-A4BM2

UL US LISTED
TYPE 1 Indoor

200 Amp Pagoda with LSC19 Receptacles

400 Amp 3 Phase Power Station to 6-Circuit and Edison Receptacles

PowerHOUSE™
Portable Distribution Boxes



Catalog Number: DB400MP-PMB-B1 (for other configurations, see table below)

Description:

400 Amp, 3 Phase, 4 Pole, 5 Wire, 120/208Y VAC, Power Station Enclosure, (1) set of (5) 16 Series Cam-type color-coded panel mount inlets to (8) 20 Amps per circuit, 6-circuit, LSC19 female panel mount receptacles and (3) NEMA 5-20, 20 Amp duplex receptacles, NEMA 3R Weather Resistant or NEMA 1 Indoor

Features & Benefits

- *Distributes power to eight industry standard six-circuit lighting receptacles and three convenience receptacles*
- *Heavy-duty molded rubber enclosure is fully insulated and resistant to shock, impact and corrosion*
- *Breakers mounted under hinged lid for enhanced safety*
- *Stackable and compact for easy storage and convenient portability*
- *Elevated base keeps receptacles above ground level*

Typical Application:

Fed from a generator or panel, this box provides overcurrent protected power for multi-cable outputs. It is used with multiple non-dimmed circuits.

Markets Served:

Concert Touring, Live Events

Specifications & Ordering Information

	DB400MP-PMB-B3	DB400MP-PMB-B1
Catalog Number	DB400MP-PMB-B3	DB400MP-PMB-B1
Rating	400 Amp, 3 Phase (H,H,H,N,G), 4 Pole, 5 Wire, 120/208Y VAC	400 Amp, 3 Phase (H,H,H,N,G), 4 Pole, 5 Wire, 120/208Y VAC
Agency Listing	cULus Listed TYPE 3R	cULus Listed TYPE 1 Indoor
Environmental Rating	NEMA 3R Weather Resistant	NEMA 1 Indoor
Input	(1) set of (5) 16 Series Cam-type color-coded panel mount inlets	(1) set of (5) 16 Series Cam-type color coded panel mount inlets
Output	(8) 20 Amps per circuit, 6-circuit, 125 VAC LSC19 female panel mount receptacles (3) NEMA 5-20, 20 Amp, 2 Pole, 3 Wire, 120 VAC duplex receptacles	(8) 20 Amps per circuit, 6-circuit, 125 VAC LSC19 female panel mount receptacles (3) NEMA 5-20, 20 Amp duplex receptacles
Feed Thru	None	None
Overcurrent Protection	(1) 400 Amp, 3 Pole main branch-rated circuit breaker (50) 20 Amp, Single Pole branch-rated circuit breakers	(1) 400 Amp, 3 Pole main branch rated circuit breaker (50) 20 Amp, Single Pole branch-rated circuit breakers
Enclosure Type	Power Station	Power Station
Dimensions	27.5"L x 18.5"W x 18"H	27.5"L x 18.5"W x 18"H
Weight	85 lbs.	85 lbs.

200 Amp 3 Phase Hammerhead to Locking Receptacles

PowerHOUSE™
Portable Distribution Boxes



Features & Benefits

- *Heavy-duty molded rubber enclosure is fully insulated and resistant to shock, impact and corrosion*
- *Breakers are mounted under hinged window for easy access and enhanced safety*
- *Elevated base keeps receptacles above ground level*



Catalog Number:
DB200N1J10DM-63

Description:

200 Amp, 3 Phase, 4 Pole, 5 Wire, 120/208Y VAC, Hammerhead Enclosure, (1) set of (5) 16 Series Cam-type color-coded panel mount inlets to (10) NEMA L21-20, 20 Amp locking receptacles, NEMA 3R Weather Resistant.

Typical Application:

This box separates 200 Amp 3 Phase circuits into (10) L21-20, 20 Amp locking receptacles. The locking mechanism helps prevent arcing and disconnecting while under load. The 20 Amp circuits are used to power fans, pumps, lights, light portable tools and NEMA 5-20, 20 Amp Edison quad stringers.

Markets Served:

Industrial, Live Events

Specifications

Rating	200 Amp, 3 Phase (H,H,H,N,G), 4 Pole, 5 Wire, 120/208Y VAC
Environmental Rating	NEMA 3R Weather Resistant
Input	(1) set of (5) 16 Series Cam-type color-coded panel mount inlets
Output	(10) NEMA L21-20, 20 Amp, 3 Phase, 4 Pole, 5 Wire, 120/208Y VAC locking receptacles
Feed Thru	None
Overcurrent Protection	(10) 20 Amp, 3 Pole branch-rated circuit breakers
Dimensions	15"L x 18"W x 22"H
Approximate Weight	75 lbs.

100 Amp 3 Phase Pagoda to Locking Receptacles

PowerHOUSE™
Portable Distribution Boxes



Features & Benefits

- *Heavy-duty molded rubber enclosure is fully insulated and resistant to shock, impact and corrosion*
- *Breakers are mounted under hinged lid for enhanced safety*
- *Stackable and compact for easy storage and convenient portability*
- *Elevated base keeps receptacles above ground level*



Catalog Number:
DB100NP-AFF-S3

Description:

100 Amp, 3 Phase, 4 Pole, 5 Wire, 120/208Y VAC, Pagoda Enclosure, (1) set of (5) 16 Series Cam-type color-coded panel mount inlets to (5) NEMA L21-20, 20 Amp locking receptacles, NEMA 3R Weather Resistant.

Typical Application:

This box can be powered from a generator, a panel or a larger distribution box. Additionally, this box can be used at outdoor events to provide power from 20 Amp locking receptacles. The locking receptacles help prevent arcing and disconnecting under load. The receptacles can be used to power lights, effects and audio equipment.

Markets Served:

Live Events, Convention Centers, Industrial

Specifications

Rating	100 Amp, 3 Phase (H,H,H,N,G), 4 Pole, 5 Wire, 120/208Y VAC
Environmental Rating	NEMA 3R Weather Resistant
Input	(1) Set of (5) 16 Series Cam-type color-coded panel mount inlets
Output	(5) NEMA L21-20, 20 Amp, 3 Phase, 4 Pole, 5 Wire, 120/208Y VAC locking receptacles
Feed Thru	None
Overcurrent Protection	(5) 20 Amp, 3 Pole branch-rated circuit breakers
Dimensions	11.5"L x 11.5"W x 14"H
Approximate Weight	32 lbs.

200 Amp 3 Phase Moving Light Box

PowerHOUSE™
Portable Distribution Boxes



UL US LISTED
TYPE 1 Indoor

Features & Benefits

- *Heavy-duty molded rubber enclosure is fully insulated and resistant to shock, impact and corrosion*
- *Breakers mounted under hinged lid for enhanced safety*
- *Stackable and compact for easy storage and convenient portability*
- *Elevated base keeps receptacles above ground level*

Catalog Number: DB160NP-ADDMS1

Description:

200 Amp, 3 Phase, 4 Pole, 5 Wire, 220 VAC, Pagoda Enclosure, (1) set of (5) 16 Series Cam-type color-coded inlets to (12) NEMA L6-20, 20 Amp locking receptacles, (2) 20 Amps per circuit, 6-circuit, LSC19 female panel mount receptacles and (1) NEMA 5-20, 20 Amp duplex receptacle, NEMA 1 Indoor

Typical Application:

This box powers 12 moving lights at a remote location with (12) NEMA L6-20 plugs or (2) 6-circuit, 220 VAC multi-cables. The two types of receptacles are wired in parallel.

Markets Served:

Concerts, Theatrical, Live Event

Specifications

Rating	200 Amp, 3 Phase (H,H,H,N,G), 4 Pole, 5 Wire, 220 VAC
Environmental Rating	NEMA 1 Indoor
Input	(1) set of (5) 16 Series Cam-type color-coded panel mount inlets
Output	(12) NEMA L6-20, 20 Amp, 2 Pole, 3 Wire, 220 VAC, locking receptacle wired in parallel with (2) 20 Amps per circuit, 6-circuit, 220 VAC, LSC19 female panel mount receptacles (1) NEMA 5-20, 20 Amp, 2 Pole, 3 Wire, 120 VAC, duplex receptacle
Feed Thru	None
Overcurrent Protection	(12) 20 Amp, 2 Pole branch-rated circuit breakers (1) 20 Amp, Single Pole branch-rated circuit breaker
Dimensions	11.5"L x 11.5"W x 14"H
Approximate Weight	32 lbs.

20 Amp “Break Out Box” to Edison Receptacles, Feed Thru

PowerHOUSE™
Portable Distribution Boxes

Bento Box®



Catalog Number:

Standard model pictured above: **BNZJ2-Z3**

Mountable C-clamp* model: **BNZJ2-Z3-CLP**

For ordering information and information on mountable model and hardware, see reverse side.

Description:

20 Amps per circuit, 6-circuit Break Out Box, Bento enclosure, LSC19 panel mount male to (6) NEMA 5-20, 20 Amp duplex receptacles, Feed Thru, NEMA 1 Indoor. Additional model available with mounting holes on a metal handle and on the back to allow vertical or horizontal mounting on a truss or pole.*

Typical Application:

Breaks an industry standard 6-circuit lighting cable into NEMA 5-20, 20 Amp receptacles for connection of up to 12 lights in a fixed location. The feed thru option allows multiple boxes to be placed along the same feed.

Markets Served:

Theatrical, Concert Production, Live Event, Motion Picture and Television Production

*Sold separately. See reverse side for ordering information.

Features & Benefits

- Provides 12 connection points for lights using 20 Amp duplex receptacles
- Optional model available that enables easy mounting vertically or horizontally with C-clamp* (see reverse side for details)
- Heavy-duty extruded engineered thermoplastic enclosure is electrically insulated and resistant to shock, impact and corrosion
- Feed thru option allows multiple boxes to be placed along the same feed
- End plate grips for easy handling in tight spaces, and collapsible handle available on standard model
- Stackable and compact for easy storage

Specifications

Rating	20 Amp, 6-circuit, 120 VAC
Environmental Rating	NEMA 1 Indoor
Input	(1) 20 Amps per circuit, 6-circuit, 120 VAC, LSC19 panel mount male
Output	(6) NEMA 5-20, 20 Amp, 2 Pole, 3 Wire, 120 VAC duplex receptacles
Feed Thru	(1) 20 Amps per circuit, 6-circuit, 120 VAC, LSC19 panel mount female
Overcurrent Protection	None
Dimensions	11.5”L x 5.9”W x 7.6”H
Approximate Weight	6.2 lbs.

Mountable “Break Out Box” and C-Clamp Mounting Options

PowerHOUSE™
Portable Distribution Boxes

BNZJ2-Z3-CLP



Standard C-Clamp for Horizontal Mounting



With Thread Adapter for Vertical Mounting



Ordering Information:

Standard Break Out Box:

To order the standard Break Out Box Model use part number **BNZJ2-Z3**.

Mountable Break Out Box:

To order the mountable Break Out Box Model featuring mounting holes on a metal handle and on the back, use part number **BNZJ2-Z3-CLP** (C-clamp hardware sold separately).*

C-Clamp Hardware:

To order a C-clamp for use with the mountable Break Out Box **BNZJ2-Z3-CLP**, use part number **GET-A-GRIP**.

For an optional thread adapter that enables horizontal mounting, add part number **04-160-A11**.

*Accessories (sold separately):

Part Number	Description	Image
GET-A-GRIP	C-clamp, aluminum black	
04-160-A11	C-clamp, thread adapter to 1/4"-20 thread for horizontal mounting	

20 Amp “Break Out Box” to powerCON® Connectors, Feed Thru

PowerHOUSE™
Portable Distribution Boxes

Bento Box®



Catalog Number:

Standard model (top): BNZJ2-6M

Mountable C-clamp model (bottom): BNZJ2-6M-CLP

For ordering information on boxes and hardware, see page 28.

Description:

20 Amps per circuit, 6-circuit, Break Out Box, Bento Enclosure, LSC19 male panel mount to (6) 20 Amp powerCON® Connectors, Feed Thru, NEMA 1 Indoor. Additional model available with mounting holes on a metal handle and on the back to allow vertical or horizontal mounting on a truss or pole.

Application:

Breaks an industry standard 6-circuit lighting cable into 20 Amp powerCON® connections for powering LED lights. The feed thru feature allows multiple boxes to be placed along the same feed.

Features & Benefits:

- Provides power for LED lights that use powerCON® plugs
- Optional model available that enables easy vertical or horizontal mounting with C-clamp (see page 28 for details)
- Heavy-duty extruded engineered thermoplastic enclosure is electrically insulated and resistant to shock, impact and corrosion
- Feed thru feature allows multiple boxes to be placed along the same feed
- End plate grips for easy handling in tight spaces, and collapsible handle available on standard model
- Stackable and compact for easy storage

Specifications:

Rating: 20 Amp, 6-circuit, 120 VAC

Environmental Rating: NEMA 1 Indoor

Input: (1) 20 Amps per circuit, 6-circuit, 120 VAC, LSC19 male panel mount

Output: (6) 20 Amp powerCON receptacles

Feed Thru: (1) 20 Amps per circuit, 6-circuit, 120 VAC, LSC19 female panel mount receptacle

Overcurrent Protection: None

Enclosure Type: Bento

Dimensions: 11.5"L x 5.9"W x 7.6"H

Weight: 6 lbs.

30 Amp 3 Phase Bento Box[®] to (6) 20 Amp Circuits, Feed Thru

PowerHOUSE™
Portable Distribution Boxes

Bento Box[®]



Catalog Number: BNB2-3B

Description:

30 Amp, 3 Phase, 4 Pole, 5 Wire, 120/208Y VAC, Bento Enclosure, NEMA L21-30, 30 Amp inlet to (3) NEMA 5-20, 20 Amp color-coded duplex receptacles split wired for (6) 20 Amp circuits, Feed Thru, NEMA 1 Indoor

Application:

Fed from 30 Amp power, this compact unit provides 20 Amp duplex receptacles for lights, effects, audio equipment and tools for a wide range of applications. The feed thru feature allows multiple boxes to be placed along the same feed.

Features & Benefits:

- Hydraulic magnetic breakers help prevent nuisance tripping at higher temperatures
- Stackable and compact for easy storage
- Heavy-duty extruded engineered thermoplastic enclosure is electrically insulated and resistant to shock, impact and corrosion
- Circuit breakers are mounted flush for easy access and numbered for easy circuit identification
- Collapsible handle and end plate grips for easy handling in tight spaces
- Feed thru feature allows multiple boxes to be placed along the same feed

Specifications:

Rating: 30 Amp, 3 Phase (H,H,H,N,G), 4 Pole, 5 Wire, 120/208Y VAC

Environmental Rating: NEMA 1 Indoor

Input: (1) NEMA L21-30, 30 Amp, 3 Phase, 4 Pole, 5 Wire, 120/208Y VAC inlet

Output: (3) NEMA 5-20, 20 Amp, Single Phase, 2 Pole, 3 Wire, 120 VAC color-coded duplex receptacles split wired for (6) 20 Amp circuits

Feed Thru: (1) NEMA L21-30, 30 Amp, 3 Phase, 4 Pole, 5 Wire 120/208Y VAC receptacle

Overcurrent Protection: (6) 20 Amp hydraulic magnetic branch-rated circuit breakers

Enclosure Type: Bento

Dimensions: 11.5"L x 5.9"W x 7.6"H

Weight: 6.5 lbs

30 Amp Bento Enclosure to (3) NEMA 5-20 20 Amp Color Coded Duplex Receptacles (Split Wired)

PowerHOUSE™
Portable Distribution Boxes

Bento Box™



Catalog Number:
BNB3-3B

Description:

30 Amp, 3 Phase, 4 Pole, 5 Wire, 120/208Y VAC, Bento Enclosure, NEMA L21-30 locking plug on 12 inches of 10/5 SOOW tail plug to (3) NEMA 5-20, 20 Amp color coded duplex receptacles, NEMA 1 Indoor

Typical Application:

Fed from a larger power source, this box provides NEMA 5-20, 20 Amp household type receptacles for lights, effects, and audio equipment.

Markets Served:

Convention Center, Concert Touring, Theatrical and Motion Picture, Industrial

Features & Benefits

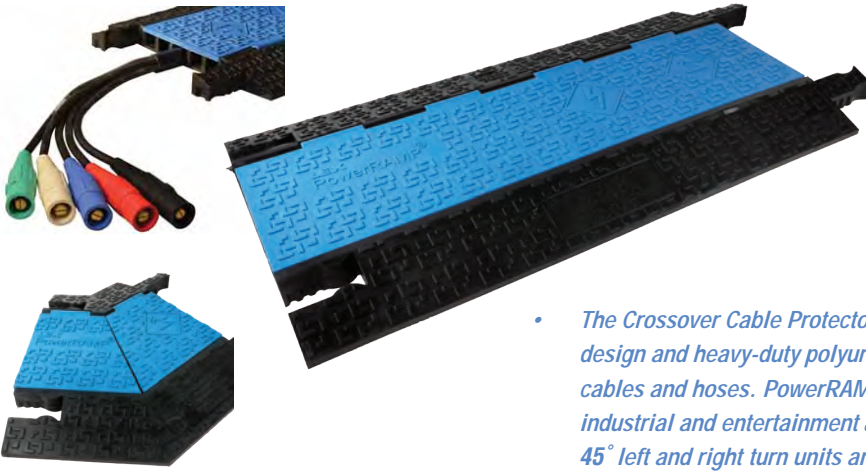
- *Stackable and compact for easy storage*
- *Heavy duty extruded PVC enclosure is electrically insulated, resistant to shock, impact, and corrosion*
- *Breakers are mounted flush for easy access and circuit identification*
- *Collapsible handle and end plate grips for easy handling in tight spaces*

Specifications

Rating	30 Amp, 3 Phase, 4 Pole, 5 Wire, 120/208Y VAC
Environmental Rating	NEMA 1 indoor
Input	(1) NEMA L21-30 Amp, 3 Phase, 4 Pole, 5 Wire, 120/208Y VAC locking plug on 12 inch 10/5 SOOW-A tail plug
Output	(3) NEMA 5-20, 20 Amp, 2 Pole, 3 Wire, 120 VAC color coded duplex receptacles
Feed Thru	None
Overcurrent Protection	All outlets are protected by branch circuit rated breakers
Dimensions	11.5"L x 7"W x 5.9"H
Approximate Weight	6.5 lbs

PowerRAMP® Cable Crossovers

PowerRAMP® Cable Protectors



- *The Crossover Cable Protectors' non-conductive materials, exclusive tread design and heavy-duty polyurethane construction safeguard the integrity of cables and hoses. PowerRAMP products are ideal for indoor or outdoor industrial and entertainment applications, and include 5-channel crossovers, 45° left and right turn units and end boots for optimum design flexibility.*

Product Model	Length	Width	Height	Weight	Slot Width	Slot Height	# of Slots
PRC-5	36 in / 634 mm	19.75 in / 901.7 mm	2 in / 51 mm	40 lbs / 18.4 kg	(4) 1.25" 32/ 32 mm (1) 1.625" / 41.3 mm	(5) 1.25" / 76 mm	5
PRTL-5 Left Turn	25 in / 914 mm	19.75 in / 686 mm	2 in / 51 mm	15.5 lbs / 7 kg	(4) 1.25" 32/ 32 mm (1) 1.625" / 41.3 mm	5 in / 128 mm	5
PRTR-5 Right Turn	25 in / 914 mm	19.75 in / 508 mm	2 in / 51 mm	15.5 lbs / 7 kg	(4) 1.25" 32/ 32 mm (1) 1.625" / 41.3 mm	2.25 in / 57 mm	5
PREB-5 End Boots (pair M/F)	36 in / 914 mm	27 in / 686 mm	2 in / 51 mm	Male: 2.5 lbs./1.1 kg Female: 4.5 lbs./2 kg	(4) 1.25" 32/ 32 mm (1) 1.625" / 41.3 mm	2.25 in / 57 mm	5



Single Channel Cable Cover CableGuard™



- *Low-profile, single-channel cable cover for indoor or outdoor use with pedestrian traffic and low-volume vehicular traffic that can be easily interconnected to protect cables of any length.*
- *For protecting single, small cables, cords or hoses of 0.47" and 0.78" in diameter from damage.*

Catalog No.	Length	Width	Height	Channel Height	Channel Width	Weight	Load Capacity
CC1-12/38*	30.10 in./765 mm	5.23 in./133 mm	0.86 in./22 mm	0.47 in./12 mm	1.49 in./38 mm	2.42 lbs./1.10 kg	25,000 lbs. per axle/ 11.5 tonnes
CC1-20/45*	30.3 in./770 mm	8.66 in./220 mm	1.25 in./32 mm	0.78 in./20 mm	1.77 in./45 mm	5.51 lbs./2.50 kg	25,000 lbs. per axle/ 11.5 tonnes

*Add -RED or -BLK at the end of part number to specify color

PowerRAMP® and CableGuard™ Cable Crossovers



Description:

LuxCommander® Portable Work Lights deliver three times more light output than conventional fluorescent fixtures for brighter, safer worksites. Portable and rugged, the fixture is lightweight and water resistant for use in wet locations. A high power factor, universal voltage ballast provides approximately two times more energy savings than conventional fluorescent fixtures. Fixture features (3) 40 Watt, 50/60 Hz lamps.

Features & Benefits:

- Provides three times more light output than conventional fluorescent fixtures for brighter and safer worksites
- Rugged, shock-absorbing aluminum frame, polycarbonate shell, polyurethane caps and lamp holders provide protection against accidental drops and lengthen fixture life
- Environmentally sealed for safe use in damp and wet locations
- Delivers approximately 20,000 lamp hours, reducing replacement lamp costs and downtime
- High power factor ballast offers twice the energy savings of conventional fluorescent lamps
- Feed thru wiring for easy daisy-chaining where multiple lights are required
- Lighter in weight and more compact than conventional fluorescent fixtures for convenience
- Hanging straps enable easy suspension
- Optional emergency battery backup version provides 60 minutes of power for uninterrupted performance (see back page)
- Also available in 240 and 277 VAC versions



Catalog Number			Number of Lamps	Lumens	Max. Lamp Wattage	Max. Lamp Lifetime	Voltage	Input Cord Length	Fixture Length	Weight
B3700	-LED	-Y	(4) T8	9,200	32W	24,000 Hrs.	120VAC	15'	5'6"	12 lbs.
B3700	-LED	-B								
B6700	-LED	-Y	(3) T5	8,200	40W	10,000 Hrs.			3'3"	9 lbs.
B6700	-LED	-B								

Part Number Options: Y = Yellow, B = Black

cULus listing applies to models: B3700-LED-Y (-B) and B6700-LED-Y(-B)

PowerFLEX™

Cable Assemblies

Lex Products' PowerFLEX™ Cable Assemblies start with proprietary cables which utilize the latest compounds for the optimal combination of durability and flexibility. The world's finest connectors are then attached with state-of-the-art processes, expertise, and quality. Clear heat shrink is provided for all Lex cable assemblies.

Cam-Type Extensions



Cam-Type Extensions are made with single pole, 16 Series Cam-type connectors and Type SC (Entertainment) feeder cable.



Rating	Male Connector	Cable	Female Connector	Catalog #
400 A, 600 VAC	16 Series Inline	4/0 AWG Type SC	16 Series Inline	FE6000-XX
200 A, 600 VAC	16 Series Inline	2/0 AWG Type SC	16 Series Inline	FE5000-XX
100 A, 600 VAC	16 Series Inline	#2 AWG Type SC	16 Series Inline	FE3000-XX
100 A, 600 VAC	(5) 16 Series Inline	#2 AWG Type SC (5) Wire Banded*	(5) 16 Series Inline	FBL305W-XX

Add suffix to indicate connector color: A = Black, B = White, C = Red, D = Blue, E = Green XX specify cable length

***100A Cam-type banded (5) wire extensions are banded every 2' with heavy duty sealant type heat shrink for durability.**



Cam-Type Extensions

Tie-In Sets



Allows qualified personnel to tie in to a lug or a bus bar (ring terminal needed for bus bar)

Rating	Male Connector	Cable	Female Connector	Catalog #
400 A, 600 VAC	Bare End Cable	4/0 AWG Type SC	(5) 16 Series Inline	TS600F-XX
200 A, 600 VAC	Bare End Cable	2/0 AWG Type SC	(5) 16 Series Inline	TS500F-XX
100 A, 600 VAC	Bare End Cable	#2 AWG Type SC	(5) 16 Series Inline	TS300F-XX

Add suffix to indicate connector color: A = Black, B = White, C = Red, D = Blue, E = Green
XX specify cable length

Tie-In Sets

Soft Siamese



Soft Siamese

A Soft Siamese adapter splits a 100, 200, or 400 Amp feeder line into two separate feeders for setting up power distribution in two separate locations.

Rating	Male Connector	Cable	Center Section	Female Connector	Catalog #
400 A, 600 VAC	16 Series Inline	4/0 AWG Type SC	Molded	(2) 16 Series Inline	SS6000-C-XX
200 A, 600 VAC	16 Series Inline	2/0 AWG Type SC	Crimp with Y heat shrink boot	(2) 16 Series Inline	SS5000-C-XX
100 A, 600 VAC	16 Series Inline	#2 AWG Type SC	Crimp with Y heat shrink boot	(2) 16 Series Inline	SS3000-C-XX

Add suffix to indicate connector color: A = Black, B = White, C = Red, D = Blue, E = Green XX specify cable length

Flat Convention Center Extension Cords

Flat Extension Cords



Rating	Length	Gauge	No. of Conductors	Stranding	Male Connector	Female Connector	Catalog No.
15 Amp, 125 VAC	15 ft.	14	3	41/30	5-15P	5-15R	14G15FT
15 Amp, 125 VAC	25 ft.	14	3	41/30	5-15P	5-15R	14G25FT
15 Amp, 125 VAC	50 ft.	14	3	41/30	5-15P	5-15R	14G50FT
15 Amp, 125 VAC	15 ft.	12	3	65/30	5-15P	5-15R	12G15FT
15 Amp, 125 VAC	25 ft.	12	3	65/30	5-15P	5-15R	12G25FT
15 Amp, 125 VAC	50 ft.	12	3	65/30	5-15P	5-15R	12G50FT

E-String™

Multiple 15A 120VAC Receptacle Extension Cord



PowerFLEX™ Cable Assemblies

E-String






Catalog Number:	Description:
50123W (white) / 50123B (black)	E-String; 12/3 STW, NEMA 5-15 plug, (3) NEMA 5-15 receptacles; 25'
	
50112WA (white) / 50112BA (black)	E-String; 12/3 STW, NEMA 5-20 plug, (6) NEMA 5-15 receptacles; 50'
	
50116BA (black)	Orchestra String; 12/3 STW, NEMA 5-20 plug, (6) NEMA 5-15 receptacles; 23' 4"
	
59233B (black)	Two Circuit, 220 VAC E-String; 12/4 STW, NEMA L14-20 plug/thru, (4) NEMA 5-15 receptacles; 33'
	

Image	Accessories Catalog Number:	Description:
	50301 (black)	Adapter; NEMA 5-15, 15 Amp plug to NEMA 5-20, 20 Amp connector
	50301W (white)	Adapter; NEMA 5-15, 15 Amp plug to NEMA 5-20, 20 Amp connector
	50201B (black)	Tri-Tap; NEMA 5-15, 15 Amp male to (3) female receptacles
	50201W (white)	Tri-Tap; NEMA 5-15, 15 Amp male to (3) female receptacles

NEMA Extensions

NEMA wiring device extensions are made with extra hard usage (SOOW-A) or junior hard service (SJOOW-A)



Rating	Male Connector	Cable	Female Connector	NEMA Configuration	Catalog No.
30 Amp, 3 Phase, 4 Pole, 5 Wire, 120/208 VAC	HBL2811	10/5 SOOW-A	HBL2813	L21-30	PE105-XX-L2130
20 Amp, 3 Phase, 4 Pole, 5 Wire, 120/208 VAC	HBL2511	12/5 SOOW-A	HBL2513	L21-20	PE125-XX-L2120
15 Amp, Single Phase, 2 Pole, 3 Wire, 120 VAC	X515P	12/3 SOOW-A	X515C	5-15	PE7000-XX-X515
15 Amp, Single Phase, 2 Pole, 3 Wire, 120 VAC	X515P	12/3 SJOOW-A	X515C	5-15	PE700J-XX-X515
Weatherproof Extensions					
30 Amp, 3 Phase, 4 Pole, 5 Wire, 120/208 VAC	28W81	10/5 SOOW-A	29W81	L21-30	PE105-XX-L2130W
20 Amp, 3 Phase, 4 Pole, 5 Wire, 120/208 VAC	26W81	12/5 SOOW-A	27W81	L21-20	PE125-XX-L2120W
15 Amp, Single Phase, 2 Pole, 3 Wire, 120 VAC	14W47	12/3 SOOW-A	15W47	5-15	PE123-XX-515W

XX to specify cable length

Edison Stingers

20 Amp 3 Phase GFCI Quad Stringer

Extensions with Quad Boxes for Convenience Power

PowerFLEX™
Cable Assemblies



- Heavy duty molded rubber quad boxes are fully insulated, resistant to shock, impact, and corrosion
- Nylon cover plates and cable clamps are non conductive

Specifications

Catalog Number	DB20-QD50GF-FT
Input	(1) NEMA L21-20, 20A, 4P 5W, 120/208VAC locking plug
Feed-Thru	(1) NEMA L21-20, 20A, 4P 5W, 120/208VAC locking connector
Output	(6) NEMA 5-20, 20A, 2P 3W, 125VAC GFCI duplex receptacles
Cord Specification	12/5 SOOW-A, 15' from Male plug to first box, then 15' between boxes and 5' to end connector. Overall length of unit is 50'.
Overall Dimensions	3.75" L X 2.5" W X 4" H
Weight	24 lbs

EverGRIP Multi-FLEX Multi-Cable Extensions

PowerFLEX™

Cable Assemblies



Rating	Male/Female Connector	Cable	Catalog No.
20 Amp*, 300 VAC Maximum (6-circuit)	Molded Lex 6-circuit	12/18 TPR	EGME-1218-XX
20 Amp*, 300 VAC Maximum (6-circuit) Ground Conductors Bonded	Molded Lex 6-circuit	12/14 TPR	EGME-1214-XX
15 Amp*, 300 VAC Maximum (6-circuit) Ground Conductors Bonded	Molded Lex 6-circuit	14/14 TPR	EGME-1414-XX
5 Amp**, 300 VAC Maximum (6-circuit)	Molded Lex 6-circuit	16/18 TPR	EGME-1618-XX

**Add suffix WP for weatherproof cover on female connector.
XX to specify cable length. Standard lengths are 5', 10', 15', 25', 50', 75', 100', 125', 150' and 200'.

*See www.lexproducts.com for warranty details

*Maximum when used with 50% diversity of load (in accordance with table NEC 520-44)
**5 Amps simultaneously on all circuits

AVAILABLE IN STANDARD CABLE ASSEMBLY

Break In/ Break Out

Break-Out male LSC19 to
(6) female 15 Amp NEMA 5-15



Break-In

Rating	Male Connector	Cable	Female Connector	Catalog No.
20 Amp*, 125 VAC	(6) 20 Amp Stage Pins	12/3 SJOW-A, 3"	Molded Lex LSC19	EGBI100-3-SP
20 Amp*, 125 VAC	(6) NEMA 5-15 Edison	12/3 SJOW-A, 3"	Molded Lex LSC19	EGBI100-3-515
20 Amp*, 125 VAC	(6) NEMA L5-20 Locking	12/3 SJOW-A, 3"	Molded Lex LSC19	EGBI100-3-L520
20 Amp*, 125 VAC	(6) NEMA L6-20 Locking	12/3 SJOW-A, 3"	Molded Lex LSC19	EGBI100-3-L620

Break-Out

Rating	Male Connector	Cable	Female Connector	Catalog No.
15 Amp*, 125 VAC	Molded Lex LSC19	12/3 SJOW-A, 6'	(6) NEMA Edison 5-15	EGBO100-6-515
15 Amp*, 125 VAC	Molded Lex LSC19	12/3 SJOW-A	(6) NEMA Edison 5-15, Staggered	EGBO100-STG-515
20 Amp*, 125 VAC	Molded Lex LSC19	12/3 SJOW-A, 6'	(6) 20 Amp Stage Pins	EGBO100-6-SP
20 Amp*, 125 VAC	Molded Lex LSC19	12/3 SJOW-A	(6) 20 Amp Stage Pins, Staggered	EGBO100-STG-SP
20 Amp*, 125 VAC	Molded Lex LSC19	12/3 SJOW-A, 6'	(6) NEMA L5-20 Locking	EGBO100-6-L520
20 Amp*, 125 VAC	Molded Lex LSC19	12/3 SJOW-A, 6'	(6) NEMA L6-20 Locking	EGBO100-6-L620

Add suffix WP for weatherproof cover on female connector. Only available on break-ins.
Custom lengths available. Contact a sales representative.

*Maximum when used with 50% diversity of load (in accordance with table NEC 520-44).

AVAILABLE IN STANDARD CABLE ASSEMBLY

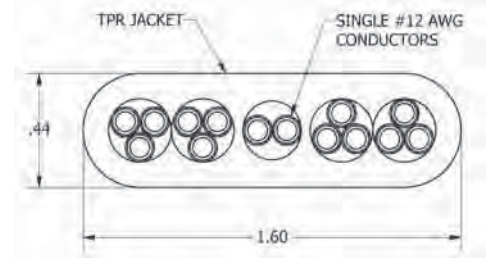
20 Amp 300 VAC Six Circuit 19 Pin Flat Multi-Cable Extension

PowerFLEX™
Cable Assemblies

MultiFlex



- Measures less than 1/2" thick; ideal for areas where foot traffic doesn't permit round cables
- LSC19 Pin backshell and clamping system designed to perfectly accommodate the low profile cable
- Perfect for Convention Centers, Ballrooms - anywhere conventional cables are a problem



Specifications

Rating	Male Connector	Cable	Female Connector	Catalog #
20 Amp, 125 VAC (6 Circuit)	LSC19-LMC-FC	12/14 FC	LSC19-LFC-FC	ME1214LP-XX
				XX specify cable length

LSC19 Pin 6-Circuit Splitter

PowerHOUSE™
Portable Distribution Boxes

Splits one 6-Circuit input into two parallel 6-Circuit outputs



- Heavy duty molded rubber enclosure is fully insulated, resistant to shock, impact, and corrosion
- Optional multi-cable tails for input or outputs

Specifications

Catalog No.	DB20A-19MFF
Input	(1) 6-circuit, 20 A, 125 VAC LSC 19 Pin Panel Mount inlet
Output	(2) 6-circuit, 20 A, 125 VAC LSC 19 Pin Panel Mount receptacles
Overall Dimensions	6-1/2" L x 5-1/2" W x 2-1/2" H - 3 lbs.

powerCON® & powerCON® TRUE1® Cable Extensions

PowerFLEX™ Cable Assemblies



powerCON® Cable



powerCON® TRUE1® Cable

Cat 6 Shielded Touring Cable

Type	Cable	Catalog No.
20 Amp powerCON Extensions	12/3 SJ00W-A Extra Hard Usage	PE700J-XX-PCN
PowerCON TRUE1	12/3 SJ00W	PE700J-XX-TRUE1
XX to specify cable length		

PowerData™ Cable

Power and Data Extension



Features & Benefits:

- Reduces cable tangling and clutter without the need for banding
- Simplifies interconnection between LEDs, Moving Lights, Power Supplies, etc.
- Common jacket prevents separation of individual cables
- 2'0" Power and Data Tails

Type	Power Connectors	Cable	Data Connectors	Catalog #
PowerData Extensions	Customer Specified	(3) 12 AWG / (4) 24 AWG shielded pairs; PVC jacket material	Customer Specified	PDE-XXX-YY-ZZ
Standard Variations Listed Below				
Power Data Extension	Neutrik® powerCON® devices	5'0", (3) 12 AWG / (4) 24 AWG shielded pairs; PVC jacket material	Neutrik® 5-pin XLR (blue/gray) devices	PDE-005-FE-EM
Power Data Extension	Neutrik® powerCON® TRUE1 devices	5'0", (3) 12 AWG / (4) 24 AWG shielded pairs; PVC jacket material	Neutrik® 5-pin XLR (black/gold) devices	PDE-005-GH-EM

20 Amp powerCON® (or powerCON® TRUE1) Quad Box with Optional Threaded Insert

PowerHOUSE™
Portable Distribution Boxes



20 Amp Neutrik® powerCON® (or powerCON® TRUE1) Quad Box to (2) NEMA 5-20 Duplex Receptacles, optional threaded insert for accessory attachment

Catalog Numbers:

DB20PC-SBPC	20 Amp Neutrik® powerCON® Quad Box to (2) NEMA 5-20 Duplex Receptacles
DB20PC-SBPC-TI	20 Amp Neutrik® powerCON® Quad Box to (2) NEMA 5-20 Duplex Receptacles with Threaded Insert
DB20T1-SBPC	20 Amp Neutrik® powerCON® TRUE1 Quad Box to (2) NEMA 5-20 Duplex Receptacles
DB20T1-SBPC-TI	20 Amp Neutrik® powerCON® TRUE1 Quad Box to (2) NEMA 5-20 Duplex Receptacles with Threaded Insert
04-160-A11	Black C-Clamp and Threaded Adapter Insert

Specifications

Rating	20A 120 VAC
Environmental Rating	TYPE 1 Indoor Use
Input	DB20PC-SBPC: (1) Neutrik® powerCON® blue device DB20T1-SBPC: (1) Neutrik® powerCON® TRUE1 Inlet
Output	(2) NEMA 5-20, 20 Amp, 2 Pole, 3 Wire, 125 VAC duplex receptacles
Feed Thru	DB20PC-SBPC: (1) Neutrik® powerCON® grey device DB20T1-SBPC: (1) Neutrik® powerCON® TRUE1 Outlet
Enclosure	Rubber Quad Box
Dimensions	4.70"L x 2.50"W x 4.20"H
Weight	1.5 lbs.

Typical Application:

This is an extremely versatile box for placing convenient (NEMA 5-20) receptacles exactly where you need them. The powerCON® connectors are compact and economical. With different length extensions you can create your own receptacle stringers. It also allows Edison (NEMA 5-15) equipped gear to be plugged into powerCON® distribution systems. The optional threaded insert allows the rubber quad box to be suspended from battens, truss or other structures.

Markets Served

Convention Centers, Live Events, Concert Touring



04-160-A11
Clamp and Adapter

powerCON® Cable Assemblies

For interconnecting LED and intelligent lighting

PowerFLEX™
Cable Assemblies

powerCON® TRUE1® Tee



powerCON® Tee



Modular Tee



Power Outlet	Feed Thru	Cable	Catalog No.
NEMA 5-20 20 Amp, 120 VAC Lex-Loc	20 Amp, 120 VAC, powerCON® TRUE1, male/female	12/3 SJOOW-A, 18"	A5039-X520C
20 Amp Blue powerCON®	20 Amp, 120 VAC, powerCON® TRUE1, male/female	12/3 SJOOW-A, 18"	A5039-PCNB
NEMA 5-20 20 Amp, 120 VAC Lex-Loc	20 Amp, 120 VAC, powerCON®, Blue/Grey panel mount	12/3 SJOOW-A, 18"	A5043-X502C
20 Amp TRUE1 Female (Connector)	20 Amp, 120 VAC, powerCON®, Blue/Grey panel mount	12/3 SJOOW-A, 18"	A5043-TRUE1

EverGrip® powerCON® Extender Power Extension Adapter



Rating	Length	Gauge	Power Inlet	Power Outlet	Catalog No.
20 Amp, 120 VAC	1 ft.	12/3 SJOOW	Neutrik® NAC3MPA	Neutrik® NAC3FPA	A5033
20 Amp, 120 VAC	1 ft.	12/3 SJOOW	Neutrik® NAC3MX-W-TOP	Neutrik® NAC3MPB	A5037
20 Amp, 120 VAC	1 ft.	12/3 SJOOW	Neutrik® NAC3FPB	Neutrik® NAC3FX-W-TOP	A5038

Custom configurations, individual connectors and interconnecting cable assemblies available.



DMX Extensions and Shielded XLR Data Cables

Type	Male Connectors	Cable	Female Connector	Catalog No.
3 Pin XLR	3 Pin XLR Neutrik® (Black/Gold)	1 pair & shield, 22 AWG black polyurethane jacket	3 Pin XLR Neutrik® (Black/Gold)	DMX-3P-XX
Color Changer & Color Blast	4 Pin XLR Neutrik® (Black/Gold)	1 pair & shield, 22 AWG (2) 14 AWG black polyurethane jacket	4 Pin XLR Neutrik® (Black/Gold)	CC-4P-XX
DMX 512	5 Pin XLR Neutrik® (Black/Gold)	2 pair & 2 shield, 22 AWG black polyurethane jacket	5 Pin XLR Neutrik® (Black/Gold)	DMX-5P-XX
RFU	6 Pin Switchcraft® Compatible Neutrik®	3 pair & shield, 22 AWG black polyurethane jacket	6 Pin Switchcraft® Compatible Neutrik® (Black/Gold)	RFU-XX-MM

XX to specify cable length

RJ-45 Cable



etherCON® Cable

Cat 6 Shielded Touring Cable

Type	Cable	Catalog No.
Heavy-duty RJ-45	4 pair 24 AWG industrial grade	CAT6S-XX
etherCON® shrouded heavy-duty RJ-45 with booth	4 pair 24 AWG industrial grade	CAT6S-EC-XX

XX to specify cable length



4 Channel Cat 5e Ethernet Snake

Description	Connectors	Outside Diameter		Channel Colors	Catalog No.
		Each Channel	Overall		
4 channel Cat 5e cable set with (4) RJ45 connectors with strain relief on each end	RJ45 with strain relief on each end	.245"	.650"	Black, Gray, Blue, Purple	ES4RJ45-XX

XX to specify cable length *Ethercon® variation available upon request

Custom configurations, individual connectors and interconnecting cable assemblies available.

Data Cables

PowerFLEX™
Cable Assemblies

DMX Multi-Cables



Catalog Number:
DMAX-9A-XX

For interconnecting LED lighting, portable speakers, and intelligent lighting

DataSNAKE™ DMX Multi-Cables - DMAX Version

Male/Female Connectors	Cable
(9) 5 pin XLR Neutrik® black/gold 5 pin male/female connectors	(2) twisted pair 22 AWG stranded tinned copper conductors with (2) Kevlar® strength members for each circuit
Each two pair shielded circuit is broken out of the multi-cable with heavy-duty thermoplastic heat-shrink Overall Tour Grade 60 mil thermoplastic jacket, nominal O.D.: 0.68", Weight: 230 lbs. per 1,000 feet	
XX to specify cable length	



Catalog Number:
DS45P3P515-XX

(4) 5 Pin XLR, (1) 3 Pin XLR, (1) NEMA 5-15 Edison Extension


DataSNAKE™ DMX Multi-Cables - Front of House Version

Type	Qty	Male/Female Connectors	Cable
15 Amp, 2 Pole, 3 Wire, 120 VAC	4	Neutrik® (black/gold) 5 Pin	(2) twisted pair 22 AWG stranded tinned copper conductors with (2) Kevlar® strength members, an overall braid shield and a polyurethane jacket.
Intercom	1	Neutrik® (black/gold) 3 Pin	(1) twisted pair 22 AWG stranded tinned copper conductor with Kevlar® strength member, shield and thermoplastic jacket.
AC Power Circuit	1	Hubbell (all black) industrial grade	(3) 12 AWG stranded tinned copper with 105° C rated PVC jacket. Overall thermoplastic jacket installed to break-out point.
Overall Tour Grade 60 mil thermoplastic jacket, nominal O.D.: 0.780", Weight: 350 lbs. per 1,000 feet			
XX to specify cable length			


Audio Cables

PowerFLEX™
Cable Assemblies



XLR Snakes

Catalog Number	Item Description	Male Connector	Cable	Female Connector	
LPA-XLR-8PR-xxx	Lex Pro Audio 8 Pair XLR Cable	3-Pin XLR	Lex Pro Audio 8 Pair Snake Cable	3-Pin XLR	
LPA-XLR-12PR-xxx	Lex Pro Audio 12 Pair XLR Cable	3-Pin XLR	Lex Pro Audio 12 Pair Snake Cable	3-Pin XLR	
LPA-XLR-20PR-xxx	Lex Pro Audio 20 Pair XLR Cable	3-Pin XLR	Lex Pro Audio 20 Pair Snake Cable	3-Pin XLR	
xxx Indicates Cable Length		Standard lengths 5', 10', 15', 25', 50', 75', 100' & 150'. Custom lengths available		8-Pair XLR Snake	

XLR and TRS Cables and Adapters

Catalog Number	Item Description	A Connector	Cable	B Connector	
LPA-XLR-20/2-xxx	Lex Pro Audio XLRM-F 20/2 Cable	3-Pin XLRM	Lex Pro Audio 20/2 Microphone Cable	3-Pin XLRF	
LPA-XLRMTRS-20/2-xxx	Lex Pro Audio XLRF-TRS 20/2 Cable	3-Pin XLRF	Lex Pro Audio 20/2 Microphone Cable	1/4" TRS Plug	
LPA-XLRFTRS-20/2-xxx	Lex Pro Audio XLRM-TRS 20/2 Cable	3-Pin XLRM	Lex Pro Audio 20/2 Microphone Cable	1/4" TRS Plug	
LPA-TRS-20/2-xxx	Lex Pro Audio TRS 20/2 Cable	1/4" TRS Plug	Lex Pro Audio 20/2 Microphone Cable	1/4" TRS Plug	
xxx Indicates Cable Length		Standard lengths 5', 10', 15', 25', 50', 75' & 100'. Custom lengths available		3 Pin XLR Cable	

Speaker Cables

Catalog Number	Item Description	Male Connector	Cable	Female Connector	
LPA-SPK12/2-1/4-xxx	Lex Pro Audio Jumbo 1/4" Speaker Cable	1/4" Jumbo Plug	Lex Pro Audio 12/2 Speaker Cable	1/4" Jumbo Plug	
LPA-SPK12/2-xxx	Lex Pro Audio NL4 Speaker Cable	4-Pin speakCON	Lex Pro Audio 12/2 Speaker Cable	4-Pin speakCON	
LPA-SPK12/4-xxx	Lex Pro Audio NL4 Speaker Cable	4-Pin speakCON	Lex Pro Audio 12/4 Speaker Cable	4-Pin speakCON	
LPA-SPK12/8-xxx	Lex Pro Audio NL8 Speaker Cable	8-Pin speakCON	Lex Pro Audio 12/8 Speaker Cable	8-Pin speakCON	
LPA-SPK12/8-C8-xxx	Lex Pro Audio CA-COM8 Speaker Cable	8-Pin CACOM	Lex Pro Audio 12/8 Speaker Cable	8-Pin CACOM	
xxx Indicates Cable Length		Standard lengths 3', 5', 10', 15', 25', 50', 75' & 100'. Custom lengths available		8 Pin CACOM	

EverGrip® Molded Motor Control Cable Extensions

Socapex® and Quarter Turn Control Extensions for Hoists and Motors

PowerFLEX™
Cable Assemblies



Description:

Lex Products Patent Pending EverGrip® overmold technology provides enhanced safety and durability for critical motor and hoist operations required in entertainment scenery and rigging applications. EverGrip® connectors and extensions feature a two-part molding process to help prevent internal damage and provide exceptional strain relief that transfers pressure away from the connectors. Lex Products EverGrip® molded motor control cable extensions are available in 7 and 14 pin quarter turn configurations as well as a 7 pin Socapex® compatible configuration. In 2011, the Lex Products' EverGrip® molded 7 and 14 pin quarter turn motor control cables won a "Rock Our World" award for technology innovation from the entertainment industry association PLASA.

Features & Benefits:

- Thermoplastic material bonds the cable to the connector to provide superior strain relief and maintain secure terminations
- Proprietary connector design prevents pins and contacts from pushing back into housing, extending cable assembly life
- Proprietary connector construction encapsulates conductors to prevent short circuits due to stray conductors
- Oil resistant thermoplastic elastomer overmold absorbs impact, protects internal conductors and provides an insulated gripping surface
- Locking ring is overmolded for impact resistance and provides a firm gripping surface when mating and unmating connectors
- Molded strain relief extends cable life
- Supportive wire mesh bus drop cable grip transfers stress from suspended cables away from connectors
- Connector arrows indicate proper mating alignment

Specifications:

Rating	Configuration	Cable	Catalog No.
10 Amp, 250 VAC	7 pin quarter turn male and female overmolded connectors	16 AWG, 7 conductor SOOW	EGME16/7-XX
10 Amp, 250 VAC	14 pin quarter turn male and female overmolded connectors	16 AWG, 7 conductor SOOW	EGME16/7-P14-XX
10 Amp, 250 VAC	7 pin Socapex male and female overmolded connectors	16 AWG, 7 conductor SOOW	EGME16/7-XX-SX
10 Amp, 250 VAC	7 pin Socapex male and female overmolded connectors	Heavy-duty 14 AWG, 7 conductor SOOW	EGME14/7-XX-SX

XX to specify cable length

Custom configurations, individual connectors and interconnecting cable assemblies available.

Cam-Type Connectors

PowerPARTS™
Wiring Devices

Cam-Type Connectors



Male Inline



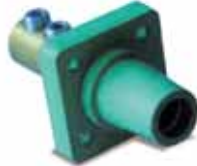
Female Inline



Panel Female Threaded Stud



Panel Male Threaded Stud



Panel Female Double Set Screw



Panel Male Double Set Screw



Rating	Cable Size	Male Inline	Female Inline	Panel Male Threaded Stud	Panel Female Threaded Stud	Panel Male Double Set Screw	Panel Female Double Set Screw
400A, 600 VAC	2/0 -4/0	CLS40MB	CLS40FB	640MTSP	640FTSP	640MP	640FP
400A, 600VAC	#2 - 2/0	CLS20MB	CLS20FB	640MTSP	640FTSP	640MP	640FP
400A, 600 VAC	#6-#2	CLS2MBA	CLS2FB	640MTSP	640FTSP	640MP	640FP

Available in A = black, B = white, C = red, D = blue, E = green, Y = yellow, BR = brown, O = orange



Male to (3) Female	Parallelling T	Tapping T	Double Female	Double Male	Protective Cover	Snap Back Cover
16MFFF	MMF	MFF	RFF	MMM	Male: PCM Female: PCF	CL40WTC-L-125

Available in A = black, B = white, C = red, D = blue, E = green, Y = yellow, BR = brown, O = orange

Lex Loc Edison Connectors

The World's First Cage Clamp NEMA Wiring Device

Lex Loc Edison



Revolutionary design utilizes color-coded Cam levers to open and close the chambers that accept conductors.

Features & Benefits:

- No tools required; simply finger-open and close the terminals
- Cage clamp terminations can't loosen, eliminating the main cause of device failure
- Two fast-travel assembly screws save additional labor
- All-black construction blends into scenery
- Beefy external cord clamp provides excellent strain relief for a wide range of cord sizes



Rating	Cable Size	Male Inline	Female Inline
15A, 2P 3W, 120VAC	Accommodates 18/3 SJ through 10/3 S cable	X515P	X515C

Lex Products LSC19 Connectors

19 Pin, 6-Circuit Lighting Connectors



Male Inline



Male Panel Mount



Female Inline



Female Panel Mount



Spider Version Inline for use with Break-Ins and Break-Outs

Features & Benefits

- *Proprietary anti-rotation design features 12 interlocking keys to help prevent spinning of the interior within the male and female housings*



- *Prevents mis-alignment of male and female circuit conductors and unmateable or mismatched connections*
- *Helps prevent broken conductors and loose or damaged ground rings*
- *UL Recognized at 23 Amps, 600 VAC*
- *Each circuit can carry up to a maximum of 23 Amps continuous load*
- *“Tempered Spring” female contacts maintain constant pin pressure to help ensure low resistance connections*
- *Machined aluminum housing with hard black anodized finish provides enhanced durability*
- *Silver plated brass contacts for high conductivity*
- *Interiors are clearly and permanently marked on front and back for easy wiring and circuit identification*

Style	Rating	Male Inline	Female Inline	Cable Diameter Range	Male Panel Mount	Female Panel Mount
Crimp	23 Amp, 600 VAC	LSC19-LMC-29	LSC19-LFC-29	0.55"-1.00"	LSC19-PMC	LSC19-PFC
Solder	23 Amp, 600 VAC	LSC19-LMS-29	LSC19-LFS-29	0.55"-1.00"	LSC19-PMS	LSC19-PFS
PG 36 Version large entry - crimp	23 Amp, 600 VAC	LSC19-LMC-36	LSC19-LFC-36	0.95"-1.25"	N/A	N/A
PG 36 Version large entry - solder	23 Amp, 600 VAC	LSC19-LMS-36	LSC19-LFS-36	0.95"-1.25"	N/A	N/A
Spider Version (Break-In/ Break-Out) crimp contact	23 Amp, 600 VAC	LSC19-LMC-SPR	LSC19-LFC-SPR	(6) 12/3 SJT or SJTO or (6) 14/3 SJT or SJTO	N/A	N/A

Lex LSC19 Connectors

PowerPARTS™
Wiring Devices

Accessories and Specifications



Grounding Rings
LSC19-GR



Panel Mount Receptacle
Weather Resistant Self Closing Cover
LSC19-WPFC



Crimp Contact Insertion Tool
LSC19-INS



Replacement Contacts
Crimp Female LSC19-SC
Male LSC19-PC
Solder Female LSC19-SS
Male LSC19-PS

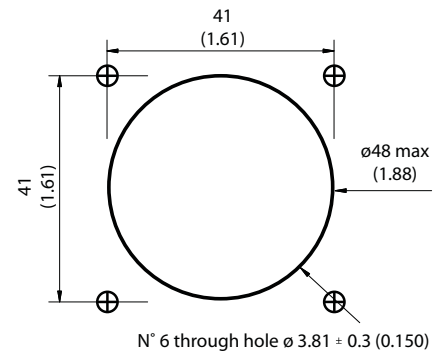


Crimp tool LSC19-CMP



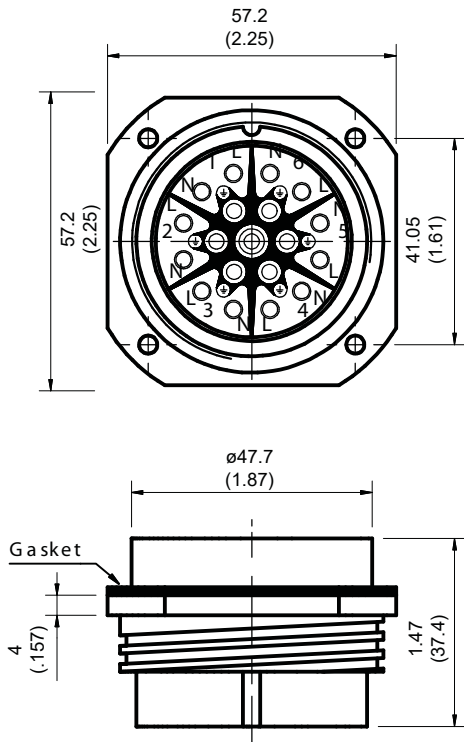
Crimp Contact Removal
Tool LSC19-REM

Panel Cut Out

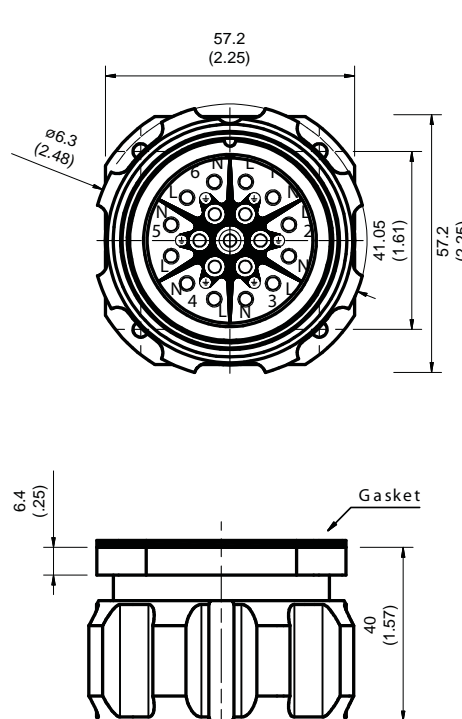


Panel Mount Dimensions

Male Panel Mount



Female Panel Mount



Specifications

Voltage Rating	600 VAC
Current Rating	23 Amps
Operating Temp	-55° to +60° degrees C
Ingress Protection	IP67 watertight when mated
Shells	Machined Aluminum
Finish	Hard Black Anodized
Insert	Silicone
Cable Entry	Standard PG29 0.55" to 1.00" PG36 Version 0.95" to 1.25"
Conductor Size	#12 - #16 AWG
Contacts	Silver Plated Brass

Lex Products offers a variety of additional services to improve cable identification, inventory management, and deter theft with cable labeling.

PowerTAGS™ - Cable Markers

Brightly colored, durable thermoplastic cable markers allowing for easy identification of cable assemblies from a distance. RFID chips, barcodes, or custom labels may be inserted behind a clear window insert for added security and inventory management.

Features & Benefits:

- Ruggedly designed to withstand high impact and extreme temperatures
- Built-in clear window allows for barcodes, custom labeling, or customer supplied RFID chips
- Rope ties may be added for bundling cable coils

Available Colors:

- White
- Red
- Orange
- Yellow
- Blue
- Custom Colors Are Available

Available for a variety of PowerFLEX™ cables, ask your LEX Sales Representative for more information.



Self-Laminating Labels

Extremely durable custom, self-laminating labels under clear heat shrink.

Label Material: Translucent vinyl

Printing: Black thermal transfer

Label Printable Area:

2" wide x 1-1/2" high: Feeder cable, multi-cable (6 cct.), Stage pin extensions, NEMA extensions, speakCON assemblies, Fly cable, DataSnake, Cat5 snake

2" wide x 1/2" high: DMX512 cable, color changer cable, RFU cable, Cat5 cable

Background Colors:

- White
- Red
- Orange
- Yellow
- Green
- Blue
- Violet



Temperature Range: -60F to +200F

Vinyl Tape

Extremely durable vinyl tape under clear heat shrink.

Label Material: 1/2 inch wide opaque vinyl

Printing: N/A

Tape Colors:

- White
- Red
- Orange
- Yellow
- Green
- Blue
- Violet

Temperature Range: -60F to +200F



SLAM Solutions
Atención en español para todo Latinoamérica
www.corpslam.com
informes@corpslam.com
WhatsApp +52 55 5416 0517



LEX
WE DELIVER THE POWER™

www.lexproducts.com
info@lexproducts.com
800.643.4460