



PowerGATE™ Company Switch

Patented, safe access to
temporary power



Applications:

- Theaters
- Convention Centers
- Studios
- Theme Parks
- Recreational Facilities

U.S. Patent Numbers
7,136,278 & 7,254,009

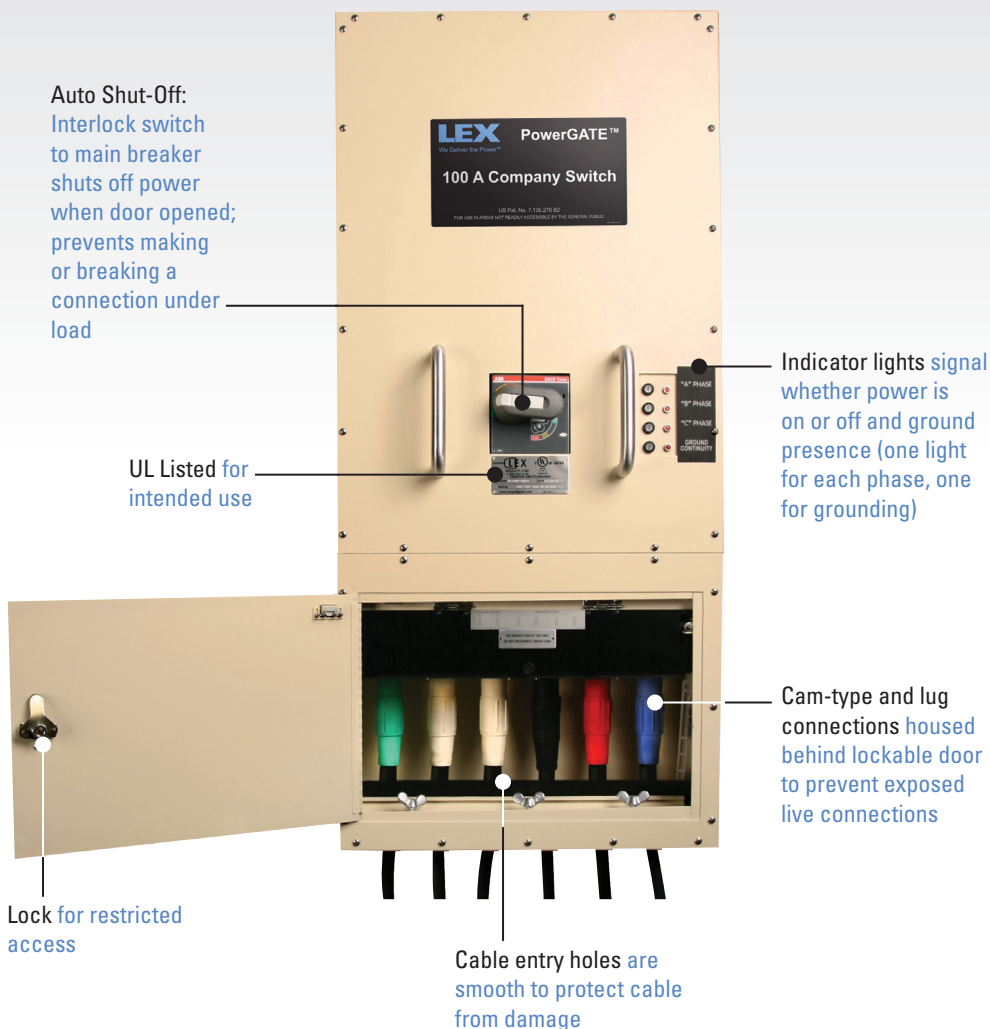


PowerGATE™ Company Switch

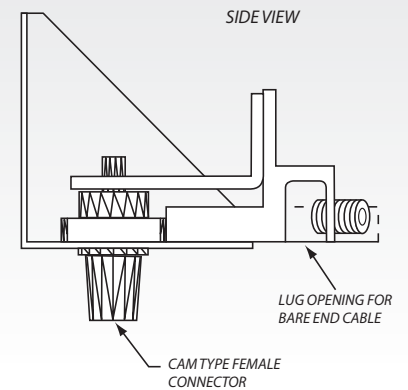


The patented Lex Products PowerGATE™ Company Switch provides a safe and convenient means of supplying access to temporary power.

The space saving, metal enclosure provides both lug style as well as IEC 60309 pin & sleeve or 16 Series Cam-type outputs and is available in both beige and black finishes. Connections are protected by a 100% rated electronic trip main breaker. Company Switches with Cam-type connections are available in 100, 200 and 400 Amp ratings, with NEMA 1 and NEMA 3R rated enclosures and are cULus Listed. Company Switches with pin & sleeve connections are available in 60 and 100 Amp ratings, in a NEMA 1 rated enclosure and are cULus Listed.



Cam/Lug Connection Chamber



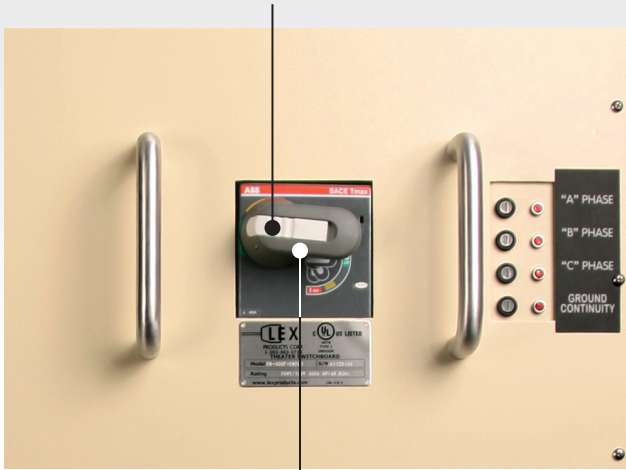
The exclusive cam/lug connection combination is at the heart of the PowerGATE™ Company Switch.

The detachable Cam-type outlet and the direct wire lug have been combined in a compact and convenient arrangement, providing a host of unique features and benefits.

Features & Benefits

- Both Cam-type or IEC 60309 pin & sleeve and lug connections are behind the lockable access door, helping to eliminate accidental disconnection, unauthorized access and/or tampering with connections
- For enhanced safety, the access door to Cam-type or IEC 60309 pin & sleeve and lug connections is interlocked to the main breaker, which means the breaker can only be turned on when the access door is closed
- Power shuts off automatically when the access door is opened, eliminating the ability to make or break a connection under load
- PowerGATE™ Company Switch design accommodates both Cam-type or IEC 60309 pin & sleeve and lug outputs in one wiring chamber, resulting in a compact design
- Circuit breaker rated at 65,000 AIC (Amps Interrupting Capacity) to exceed requirements for installed dimmers
- Units feature an electronic trip circuit breaker that is 100% rated, enabling continuous operation at maximum capacity
- Unique arrangement of both Cam-type or IEC 60309 pin & sleeve and lug terminations enables both sets of cable to drape downward for lower profile when mounted against a wall
- Circuit breakers and connection chamber housed behind gasketed door
- Circuit breaker door allows for lockout/tagout and restricted access as needed
- The chassis ground can be isolated from the main ground for sensitive audio applications

Circuit breaker handle allows breaker to be re-set without opening enclosure



100% Rated electronic circuit breaker: 65,000 AIC Rating

Cam-type receptacle and lug combination for bare end wire

Automatic chamber light enhances visibility when making connections



Strain relief secures cable connections and prevents cables from being pulled out of the connection lugs

Alternate enclosure options:



Black Finish



TYPE 3R Enclosure

PowerGATE™ Company Switch Ordering Information



Company Switch with Cam-Type Outlets Ordering Information

	400 AMP	200 AMP	100 AMP
Catalog Number (NEMA 1 Indoor)	CS-400F-C6DS1 CS-400F-C6DB1 (reverse ground neutral)	CS-200F-C6DS1 CS-200F-C6DB1 (reverse ground neutral)	CS-100F-C6DS1 CS-100F-C6DB1 (reverse ground neutral)
Catalog Number (NEMA 3R Weather Resistant)	CS-400F-C6DS3 CS-400F-C6DB3 (reverse ground neutral)	CS-200F-C6DS3 CS-200F-C6DB3 (reverse ground neutral)	CS-100F-C6DS3 CS-100F-C6DB3 (reverse ground neutral)
Rating	400 Amp, 3 Phase, 120/208Y VAC	200 Amp, 3 Phase, 120/208Y VAC	100 Amp, 3 Phase, 120/208Y VAC
Overcurrent Protection	65,000 AIC Main Breaker 100% Rated	65,000 AIC Main Breaker 100% Rated	65,000 AIC Main Breaker 100% Rated
Output	(6) 16 Series Cam-type devices: Black – Hot Blue – Hot Red – Hot (2) White – Neutral Green – Ground	(6) 16 Series Cam-type devices: Black – Hot Blue – Hot Red – Hot (2) White – Neutral Green – Ground	(6) 16 Series Cam-type devices: Black – Hot Blue – Hot Red – Hot (2) White – Neutral Green – Ground
Cabinet Finish Color	Beige or matte black powder coat For black finish, add suffix "-BLK" to catalog number	Beige or matte black powder coat For black finish, add suffix "-BLK" to catalog number	Beige or matte black powder coat For black finish, add suffix "-BLK" to catalog number
Dimensions (Indoor)	46.50" H x 20.27" W x 11.64" D	38.50" H x 20.27" W x 11.64" D	38.50" H x 20.27" W x 11.64" D
Dimensions (Outdoor)	46.50" H x 20.27" W x 12.91" D	38.50" H x 20.27" W x 12.91" D	38.50" H x 20.27" W x 12.91" D
Approximate Weight	130 lbs.	123 lbs.	123 lbs.

NOTES: For 5 Wire, replace 6 with 5 in catalog number

Company Switch with IEC 60309 Pin & Sleeve Receptacle Ordering Information

	100 AMP	60 AMP
Catalog Number	CS-100F-D5PS1	CS-60F-D5PS1
Rating	100 Amp, 3 Phase (H,H,H,N,G), 120/208Y VAC	60 Amp, 3 Phase (H,H,H,N,G), 120/208Y VAC
Overcurrent Protection	65,000 AIC Main Breaker 100% Rated	65,000 AIC Main Breaker 100% Rated
Output	(1) 100 Amp, 3 Phase, 4 Pole, 5 Wire, 120/208Y IEC 60309 pin & sleeve receptacle; (5) Lugs for bare wire connection, in parallel with pin & sleeve receptacle	(1) 60 Amp, 3 Phase, 4 Pole, 5 Wire, 120/208Y IEC 60309 pin & sleeve receptacle; (5) Lugs for bare wire connection, in parallel with pin & sleeve receptacle
Cabinet Finish Color	Beige or matte black powder coat For black finish, add suffix "-BLK" to catalog number	Beige or matte black powder coat For black finish, add suffix "-BLK" to catalog number
Dimensions	38.50" H x 20.27" W x 11.64" D	38.50" H x 20.27" W x 11.64" D



www.lexproducts.com
info@lexproducts.com
800.643.4460

© Copyright Lex Products 2019

Produced in the United States of America
05-30 All Rights Reserved.

Lex Products logo and lexproducts.com are
trademarks or registered trademarks of Lex Products
in the United States, other countries, or both.