

PowerHOUSE™
Portable Distribution Boxes

UL US LISTED
TYPE 3R Rainproof

LEX
We Deliver the Power™

Terrapin Station II™ Series

Portable Power Distribution Boxes Approved for Construction Site Use

- **Meets UL, NEC and OSHA requirements for construction site use**
- **Latest generation construction site-specific rubber enclosure for years of enduring performance**
- **Meets OSHA standards for open-neutral GFCI protection and circuit overload protection for enhanced safety**



PowerHOUSE™ Terrapin Station II™ Series

PowerHOUSE™
Portable Distribution Boxes



The PowerHOUSE™ Terrapin Station II™ Series is Lex Products latest generation of portable power distribution boxes to meet stringent UL, NEC and OSHA requirements for indoor/outdoor construction site applications that feature a heavy duty rubber enclosure for enhanced safety and durability.

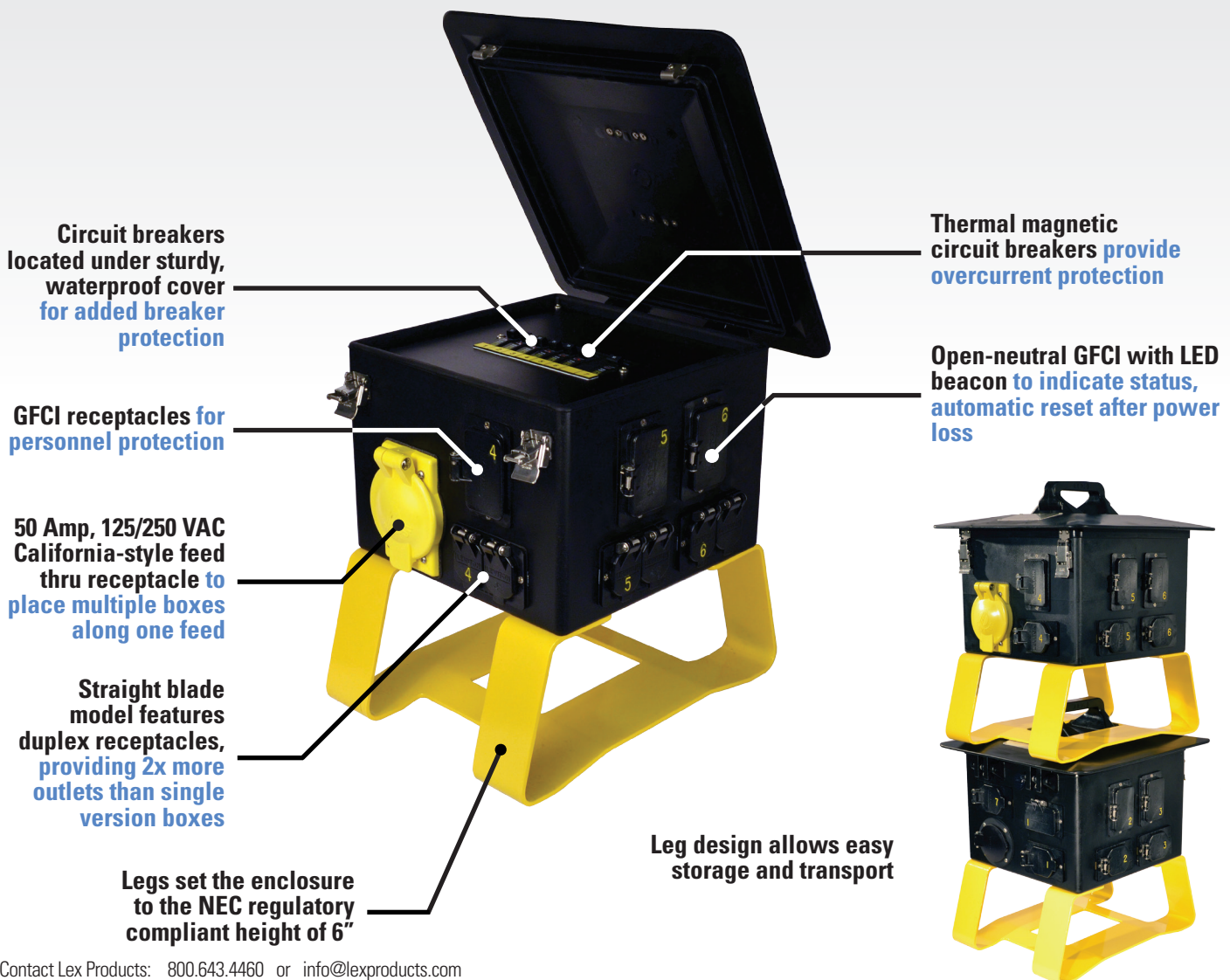
The Terrapin Station II™ Series meets OSHA standards for open-neutral GFCI protection and circuit overload protection, and is designed to deliver power from electrical panels or portable generators. The box is weather-resistant and ideal for powering a wide range of construction site equipment.

Two configurations offer a choice of either open-neutral GFCI-protected 20 Amp Duplex or Locking Receptacles, and both models feature (1) 30 Amp Locking Receptacle, and (1) 50 Amp, California-style Locking Inlet and (1) California-style Feed Thru Receptacle. Applicable overcurrent protection is provided via thermal magnetic branch-rated circuit breakers.

Enhanced Safety: Terrapin Station II™ Series portable power distribution boxes are cULus Listed and are TYPE 3R Weather Resistant for safe and reliable use in outdoor environments. Weather resistant open-neutral GFCI modules help to prevent unsafe operating conditions and nuisance tripping while LED indicators provide a visual indicator of status. The Terrapin Station II™ Series sturdy aluminum legs are designed to keep electrical components six inches above ground level to meet NEC regulatory compliance.

Unprecedented Durability: The Terrapin Station II™ Series rugged and weather resistant construction enables the box to withstand rough treatment and harsh environments while delivering years of trouble-free performance. The heavy duty molded rubber enclosure and lid are fully insulated and resistant

Terrapin Station II™ Box with (6) NEMA 5-20 Duplex Receptacles



Circuit breakers located under sturdy, waterproof cover for added breaker protection

GFCI receptacles for personnel protection

50 Amp, 125/250 VAC California-style feed thru receptacle to place multiple boxes along one feed

Straight blade model features duplex receptacles, providing 2x more outlets than single version boxes

Legs set the enclosure to the NEC regulatory compliant height of 6"

Thermal magnetic circuit breakers provide overcurrent protection

Open-neutral GFCI with LED beacon to indicate status, automatic reset after power loss

Leg design allows easy storage and transport

to shock, impact and corrosion for enhanced safety, and built to outlast comparable painted steel boxes.

The Terrapin Station II™ Series circuit breakers are located under a heavy-duty rubber, waterproof, self-closing lid for added breaker protection. Receptacles and inlets are protected from dirt and moisture intrusion by durable, spring-loaded covers.

Designed for Convenience:

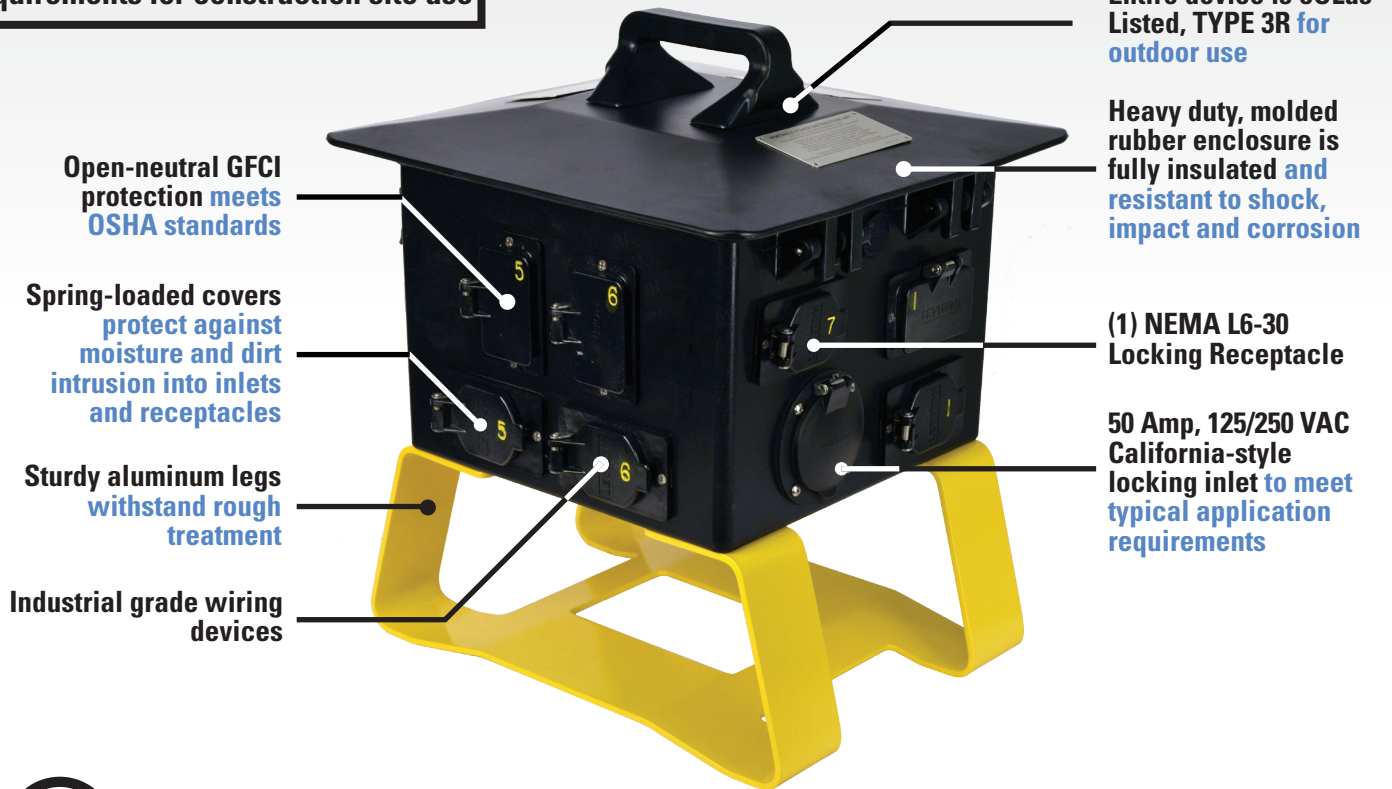
- Lighter in weight than comparable power distribution boxes for easy portability
- Compact design for operation in confined spaces and convenient storage
- Feed thru feature to place multiple boxes along one feed
- Unique leg design allows for nesting of multiple boxes for storage and transport
- A molded handle enhances portability and improves stackability of multiple units

Strong Return on Investment: Terrapin Station II™'s rugged construction and heavy-duty molded rubber enclosure deliver extended longevity for a meaningful, long-term return on investment.



Terrapin Station II™ Box with (6) NEMA L5-20 Locking Receptacles

Meets UL, NEC and OSHA requirements for construction site use



Open-neutral GFCI protection meets OSHA standards

Spring-loaded covers protect against moisture and dirt intrusion into inlets and receptacles

Sturdy aluminum legs withstand rough treatment

Industrial grade wiring devices

Entire device is cULus Listed, TYPE 3R for outdoor use

Heavy duty, molded rubber enclosure is fully insulated and resistant to shock, impact and corrosion

(1) NEMA L6-30 Locking Receptacle

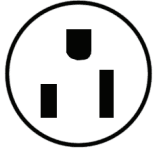
50 Amp, 125/250 VAC California-style locking inlet to meet typical application requirements



TYPE 3R Rainproof

PowerHOUSE™ Terrapin Station II™ Series

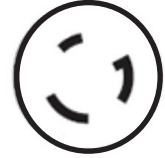
PowerHOUSE™
Portable Distribution Boxes



T2-A2-6A1E
Straight Blade Receptacle Version



T2-A2-6B1E
Locking Receptacle Version



Terrapin Station II™ Box Ordering Information

Catalog No.	T2-A2-6A1E	T2-A2-6B1E
Rating	50 Amp, Single Phase, (H, H, N, G), 3 Pole, 4 Wire, 125/250 VAC	50 Amp, Single Phase, (H, H, N, G), 3 Pole, 4 Wire, 125/250 VAC
Environmental Rating	TYPE 3R Rainproof	TYPE 3R Rainproof
Input	(1) 50 Amp, Single Phase, 3 Pole, 4 Wire, 125/250 VAC, California-style locking inlet	(1) 50 Amp, Single Phase, 3 Pole, 4 Wire, 125/250 VAC, California-style locking inlet
Output	(6) GFCI open-neutral protected, NEMA 5-20, 20 Amp, Single Phase, 2 Pole, 3 Wire, 125 VAC receptacles; (1) NEMA L6-30, 30 Amp, Single Phase, 2 Pole, 3 Wire, 250 VAC locking receptacle	(6) GFCI open-neutral protected, NEMA L5-20, 20 Amp, Single Phase, 2 Pole, 3 Wire, 125 VAC locking receptacles; (1) NEMA L6-30, 30 Amp, Single Phase, 2 Pole, 3 Wire, 250 VAC locking receptacle
Feed Thru	(1) 50 Amp, Single Phase, 3 Pole, 4 Wire, 125/250 VAC, California-style locking receptacle	(1) 50 Amp, Single Phase, 3 Pole, 4 Wire, 125/250 VAC, California-style locking receptacle
Overcurrent Protection	(6) 20 Amp, Single Pole branch-rated circuit breakers, (1) 30 Amp, Double Pole branch-rated circuit breaker	(6) 20 Amp, Single, Single Pole branch-rated circuit breakers, (1) 30 Amp, Double Pole branch-rated circuit breaker
Enclosure	A40	A40
Dimensions	14.25"L x 14.25"W x 17.5"H	14.25"L x 14.25"W x 17.5"H
Approximate Weight	29.0 lbs	29.0 lbs

LEX
We Deliver the Power™

Lex Products Corporation
15 Progress Drive
Shelton CT 06484
203.363.3738
203.363.3742 Fax

Lex West
11847 Sheldon Street
Sun Valley, CA 91352
818.768.4474
818.768.4040 Fax

www.lexproducts.com
info@lexproducts.com
800.643.4460

© Copyright Lex Products 2014

Produced in the United States of America
All Rights Reserved.

Lex Products logo and lexproducts.com are trademarks or registered trademarks of Lex Products in the United States, other countries, or both.